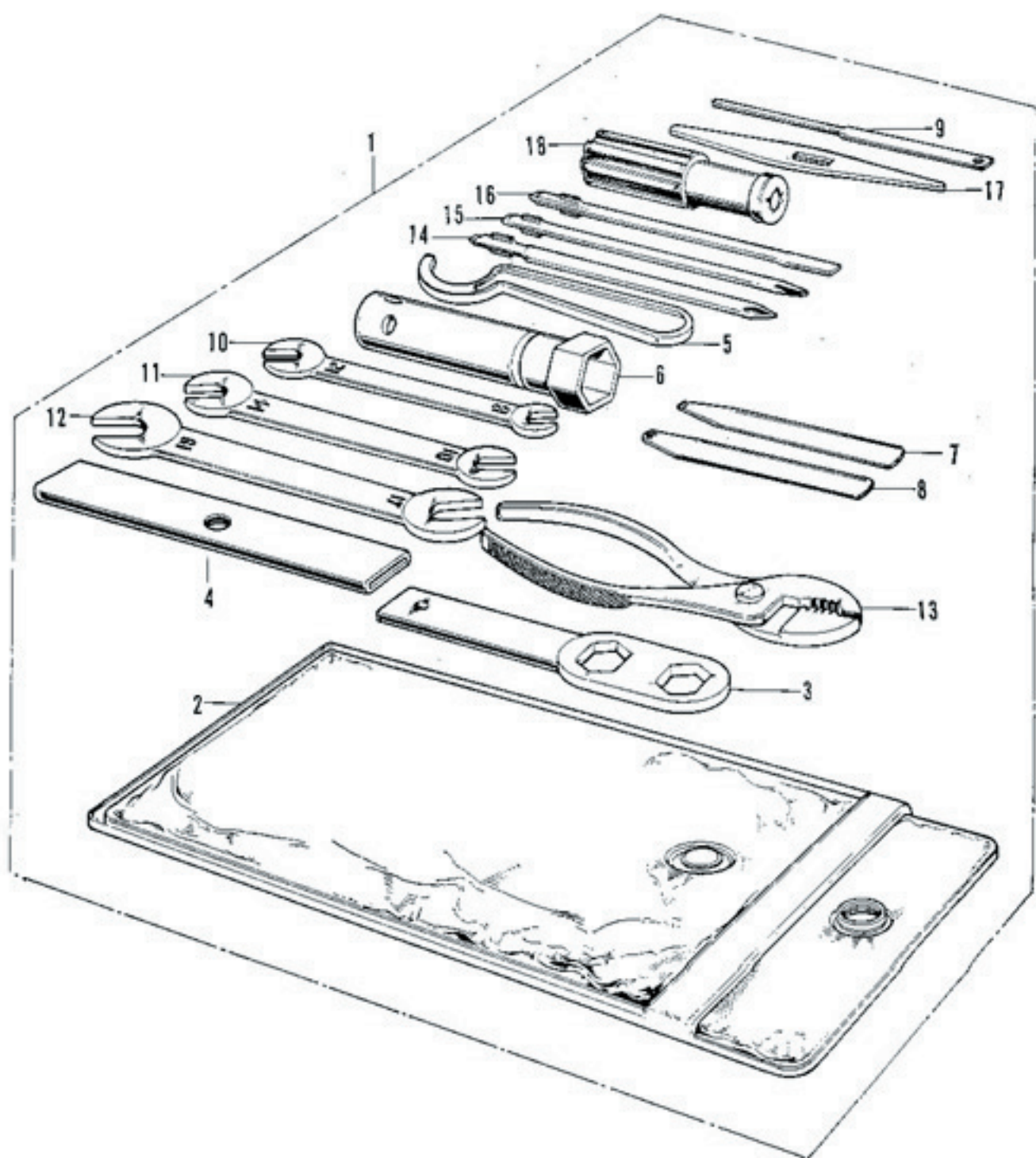


## F-39 Frame

Ref. No.	Part No.	Description	Reqd. No.			F.R.T.	Remarks
			750	750R1	750R2		
11	90155-300-000	BOLT, rear engine hanger lower .....	1	1	1	0.2	
12	90156-300-000	BOLT C, engine hanger .....	1	1	1	0.2	
13	90841-001-000	SCREW, rivet, 1.5x5 .....	2	2	2		CB750-1003480~
		(Used in France, Germany, Netherlands & E.D.)					
14	92000-08045-0A	BOLT, hex., 8x45 .....	2	2	2		
15	92200-08056-0A	BOLT, hex., 8x56 .....	2	2	2		
16	92200-10050-0A	BOLT, hex., 10x50 .....	1	1	1		
17	92200-10080-0A	BOLT, hex., 10x80 .....	1	1	1		
18	94001-08000-0S	NUT, hex., 8 mm .....	2	2	2		
19	94030-10200	NUT, hex., 10 mm .....	4	4	4		
20	94030-12200	NUT, hex., 12 mm .....	2	2	2		
21	94101-08000	WASHER, plain, 8 mm.....	2	2	2		
22	94101-12000	WASHER, plain, 12 mm .....	2	2	2		
23	94111-08000	WASHER, spring, 8 mm .....	4	4	4		
24	94111-10000	WASHER, spring, 10 mm .....	4	4	4		
25	94111-12000	WASHER, spring, 12 mm .....	2	2	2		



## F-40 Tool Bag • Tool

Ref. No.	Part No.	Description	Reqd. No.			F.R.T.	Remarks
			CB 750	CB 750K1	CB 750K2		
1	89010-300-000	TOOL-SET .....	1	1	-		
○	89010-341-000	TOOL-SET .....	-	-	1		
2	89101-300-010	BAG, tool .....	1	1	1		
3	89202-283-000	WRENCH, axle .....	1	1	1		
4	89203-283-000	ARM, axle wrench .....	1	1	1		
5	89206-283-000	SPANNER, pin, 45 mm .....	1	1	1		
6	89216-300-000	WRENCH, plug .....	1	1	1		
7	89231-001-000	GAUGE, tapet clearance adjusting .....	1	1	-		
8	89232-300-000	GAUGE, exhaust tapet clearance adjusting...	1	1	-		
9	89235-253-000	FILE, point .....	1	1	-		
10	99001-08120	SPANNER, 8×12 .....	1	1	1		
11	99001-10140	SPANNER, 10×14 .....	1	1	1		
12	99001-17190	SPANNER, 17×19 .....	1	1	1		
13	99002-15000	PLIER, 150 mm .....	1	1	1		
14	99003-10000	DRIVER #2, plus .....	1	1	1		
15	99003-20000	DRIVER #3, plus .....	1	1	1		
16	99003-30000	DRIVER #2, minus .....	1	1	1		
17	99003-40000	LEVER .....	1	1	1		
18	99003-50000	GRIP .....	1	1	1		