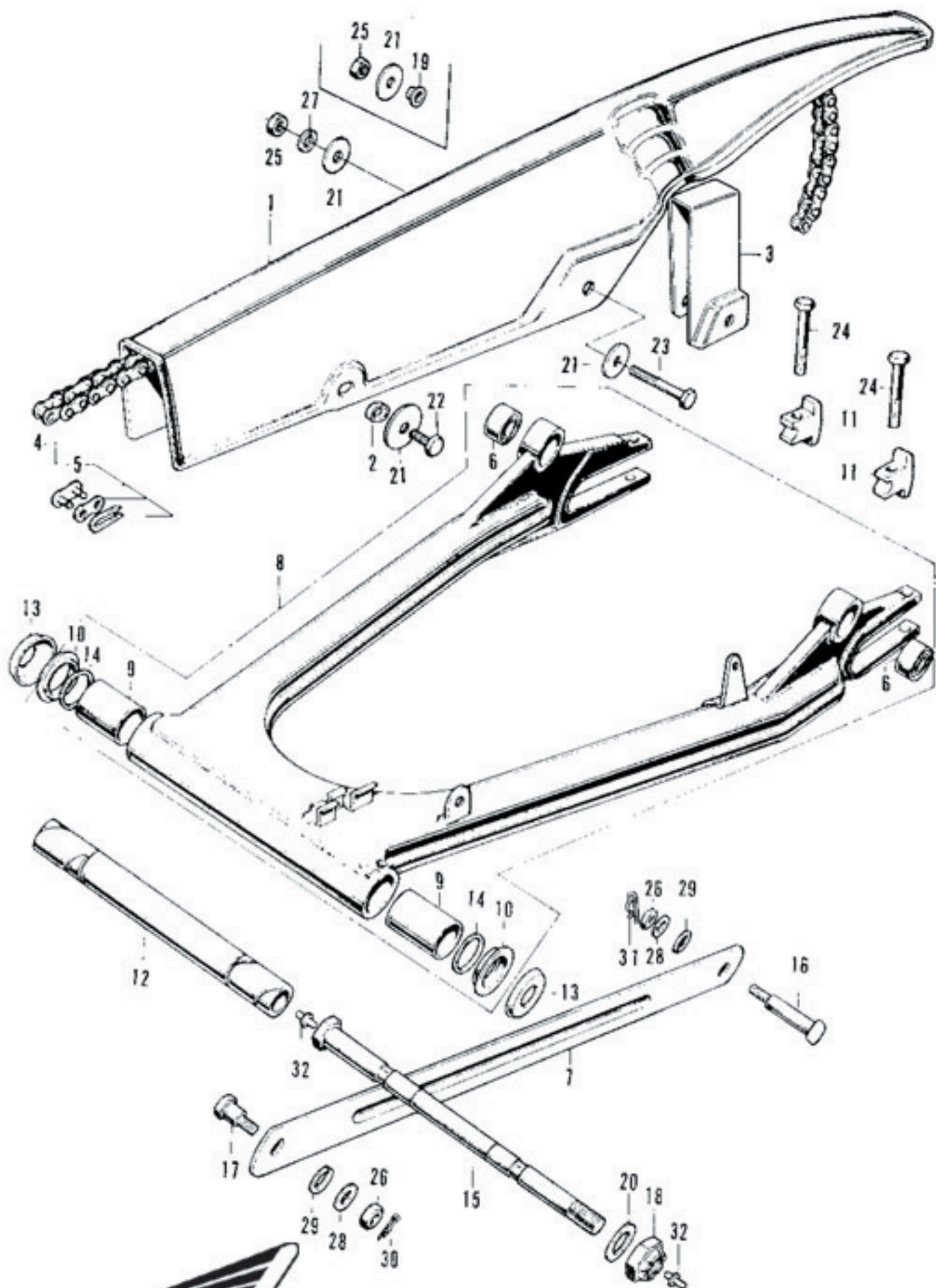


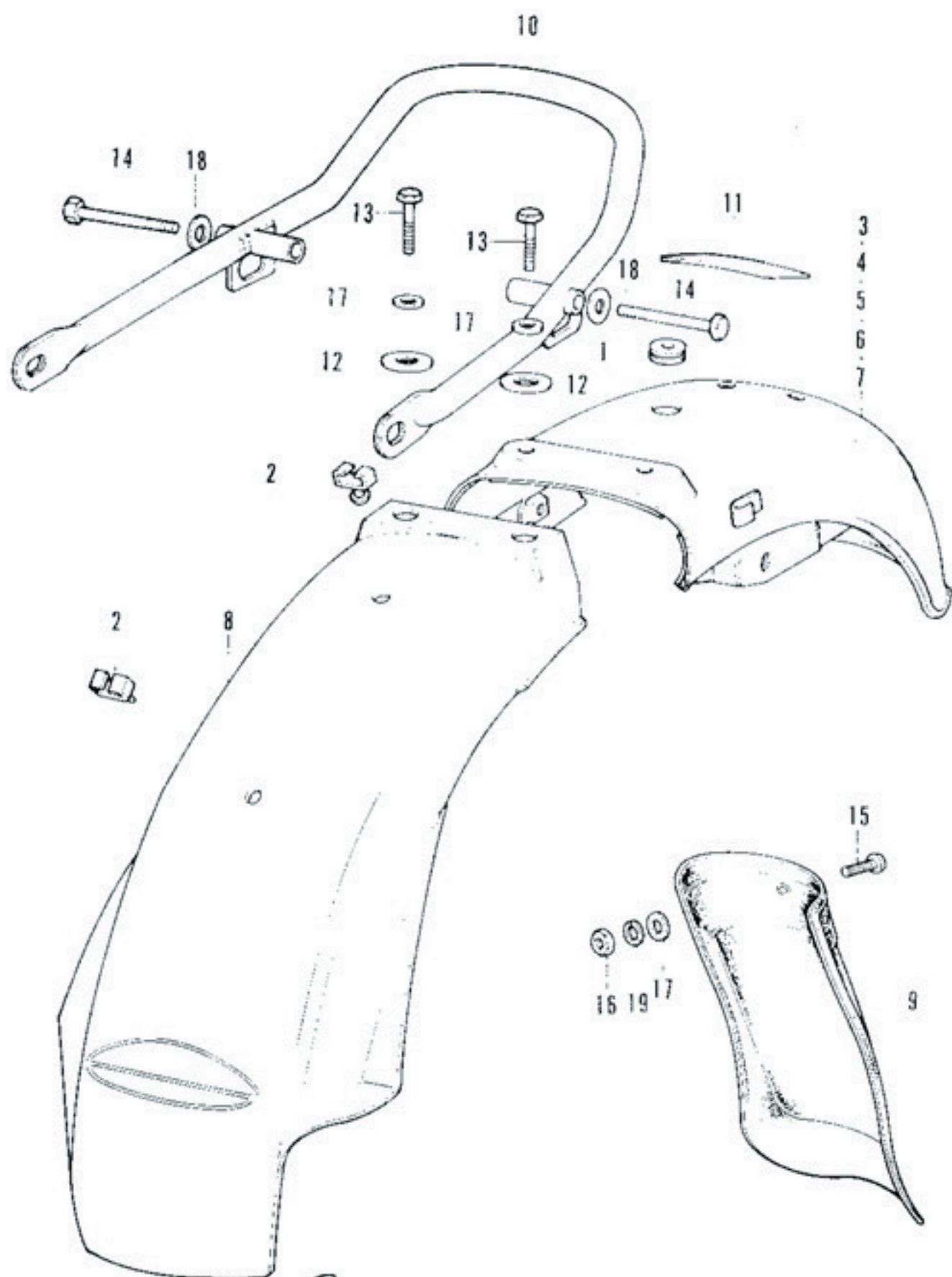
F-21 Rear Fork • Chain Case

Ref. No.	Part No.	Description	Reqd. No.			F.R.T.	Remarks
			01	02	03		
1	40510-300-040B	CASE, drive chain (Black)	1	-	-	0.2	~1021879
	40510-300-050B	CASE, drive chain (Black)	1	-	-		CB750-1021880~1044649
	40510-300-060B	CASE, drive chain (Black)	-	1	-		CB750-1044650~
O	40510-341-010B	CASE, drive chain (Black)	-	-	1		
2	40511-300-000	COLLAR, chain case.....	1	1	-	0.1	
3	40512-300-000	PLATE, drive chain case.....	1	1	-	0.1	CB750-1026845~
4	40530-300-003	CHAIN, drive (DID 50HD-98L Joint type) ...	1	-	-	0.7	~1044649
	40530-300-503	CHAIN, drive (DID 50HD-100S Staking type)	-	1	-		CB750-1044650~
	40530-300-810	(Superseded by 40530-300-503)					
5	40531-300-003	JOINT, drive chain (DID 50HD Joint type)	1	-	-	0.2	~1044649
			-	(2)	-		CB750-1044650~
	40531-300-750	JOINT, drive chain (DID 50HD Staking type)	-	1	-		CB750-1044650~1070548
	40531-300-751	JOINT, drive chain (DID 50HDS Staking type)	-	1	1		CB750-1070549~
	40531-300-305	JOINT, drive chain (DAIDO)..... (Are available for WHITNEY DRIVE CHAIN only)	1	-	-		~1044649
	40531-300-315	JOINT, drive chain (DAIDO)..... (Are available for WHITNEY DRIVE CHAIN only)	-	1	1		CB750-1044650~
6	40548-268-000	BUSH, rear cushion under rubber	2	2	2	0.6	
7	43431-286-010	ARM, rear brake stopper	1	1	1	0.3	
8	52100-300-030B	FORK COMP., rear (Black)	1	-	-	1.5	~1026844
	52100-300-040B	FORK COMP., rear (Black)	1	-	-		CB750-1026845~1044649
	52100-300-050B	FORK COMP., rear (Black)	-	1	-		CB750-1044650~
O	52100-341-000B	FORK COMP., rear (Black)	-	-	1		
9	52108-292-300	BUSH, rear fork pivot	2	-	-	1.5	~1026642
	52108-300-300	BUSH, rear fork pivot	2	2	2		CB750-1026643~
10	52109-283-300	BUSH, rear fork pivot thrust.....	2	2	2	1.5	
11	52136-300-000	STOPPER, chain adjuster	2	2	2	0.6	
12	52141-300-000	COLLAR, rear fork center	1	1	1	1.5	
13	52144-283-010	CAP, rear fork dust seal.....	2	2	2	1.5	
14	52145-283-000	RING, rear fork felt	2	2	2	1.5	
15	90121-300-000	BOLT, fork pivot	1	1	1	0.2	



F-21 Rear Fork - Chain Case

Ref. No.	Part No.	Description	Reqd. No.			F.R.T.	Remarks
			61 750	62 750K1	63 750K2		
16	90127-283-000	BOLT, rear brake pnel stopper	1	1	1	0.1	
17	90133-286-000	BOLT, rear brake stopper arm	1	1	1	0.1	
18	90354-268-000	NUT, self lock, 14 mm	1	1	1	0.1	
19	90512-300-000	WASHER, 6x20.....	2	2	-	0.1	
20	90526-268-000	WASHER, rear fork pivot bolt.....	2	2	1	0.1	
21	90581-701-000	WASHER, 18 mm	3	3	-	0.1	
22	92000-06012	BOLT, hex., 6x12.....	1	1	-		
○	92000-06014	BOLT, hex., 6x14.....	-	-	3		
23	92000-06071	BOLT, hex., 6x71.....	1	-	-		~1026844
○	92000-06020	BOLT, hex., 6x20.....	1	1	-		CB750-1026845~
24	92000-08040-0A	BOLT, hex., 8x40.....	2	2	2		
25	94001-06000	NUT, hex., 6 mm	1	1	-		
26	94001-08000-0S	NUT, hex., 8 mm	2	2	2		
27	94101-06000	WASHER, plain, 6 mm.....	1	1	3		CB750-1026845~
28	94101-08000	WASHER, plain, 8 mm.....	2	2	2		
29	94111-10000	WASHER, spring, 10 mm	2	2	2		
30	94201-20180	PIN, split, 2.0x18	1	1	1		
31	94251-08000	PIN, lock, 8 mm	1	1	1		
32	96201-30001	NIPPLE, grease, A-45	2	2	2		



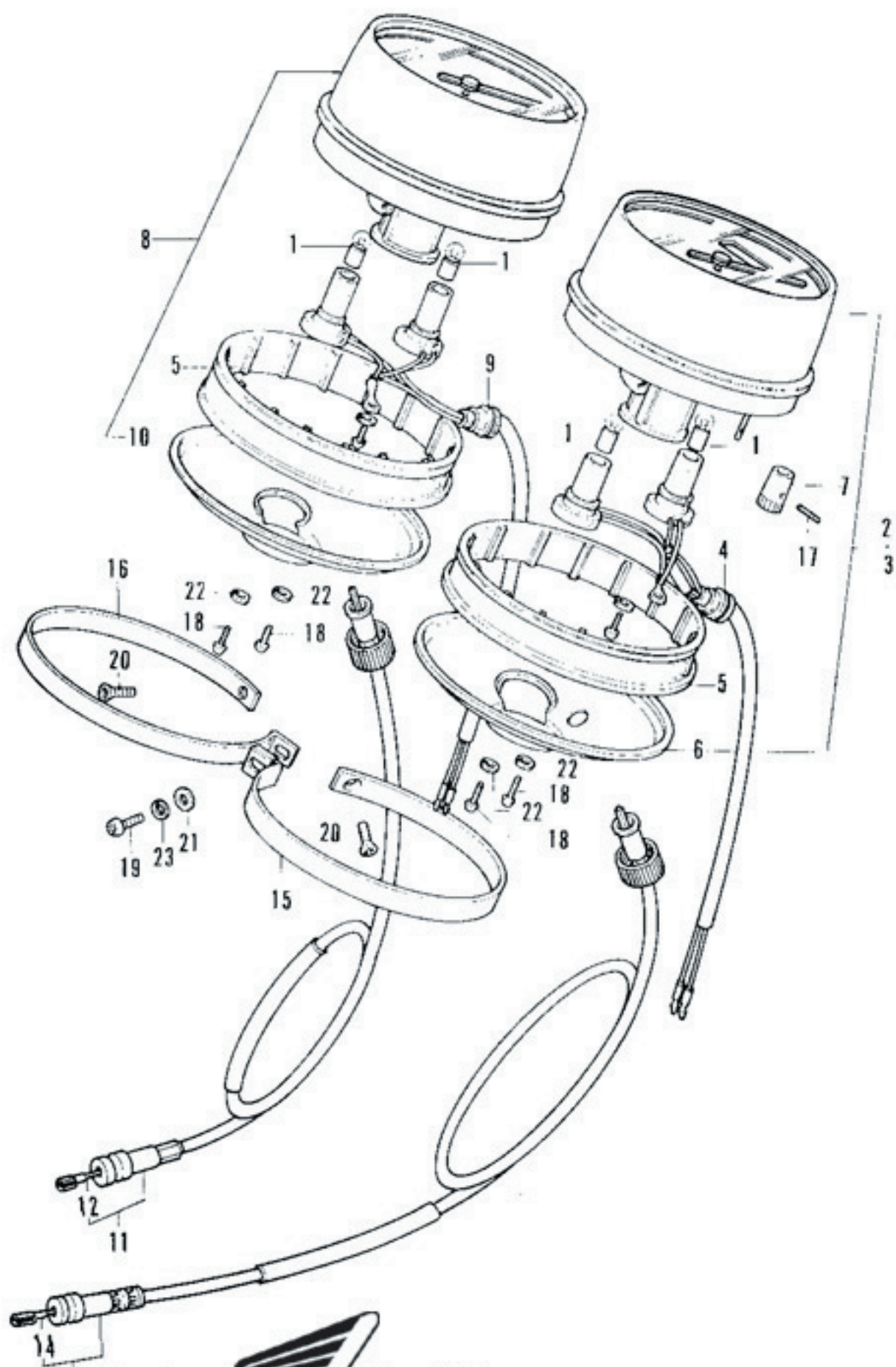
F-22 Rear Fender

Ref. No.	Part No.	Description	Reqd. No.			F.R.T.	Remarks
			CB	CB	CB		
			790	798K1	798K2		
1	32983-011-000	GROMMET, wire cord	1	1	1	0.1	
2	32985-292-000	GROMMET, wire cord	2	2	2		
3	80100-300-020XW	FENDER COMP., rear (Chrome).....	1	-	-	0.2	~1044649
	80100-300-030XW	FENDER A, rear (Chrome)	-	1	-	0.2	CB750-1044650~ * ~1044649
○	80100-341-000	FENDER A, rear (Chrome)	-	-	1		
4	80100-300-600XW	FENDER A, rear (Chrome)	1	1	1		CB750-1010369~
		(Used in England)					
5	80100-300-610XW	FENDER A, rear (Chrome)	1	1	1	0.2	CB750-1006084~
		(Used in Germany & Netherlands)					
6	80100-300-620XW	FENDER COMP., rear (Chrome).....	1	1	-	0.2	CB750-1003480~1053398
		(Used in France)					
	80100-300-621XW	FENDER COMP., rear (Chrome).....	-	1	1		CB750-1053399~
		(Used in France)					
7	80100-300-730XW	(Superseded by 80100-300-731XW)					
	80100-300-731XW	FENDER COMP., rear (Chrome).....	-	1	1		
		(Used in E.D.)					
8	80105-300-000	FENDER B, rear	1	-	-	0.9	~1044649
	80105-300-010	FENDER B, rear	-	1	-		CB750-1044650~ * ~1044649
○	80105-341-000	FENDER B, rear	-	-	1		
9	80121-300-730	(Superseded by 80121-300-731)					
○	80121-300-731	MADGUARD, rear fender (Used in E.D.)...	-	1	1	0.1	
○10	84101-341-671	BUMPER, rear (Used in U.S.A.)	-	-	1		
11	87505-300-670	CAUTION MARK, tire	1	1	-	0.1	CB750-1013459~
○	87505-341-670	CAUTION MARK, tire	-	-	1		
12	90512-300-000	WASHER, 6×20.....	2	2	-		
○	90513-323-000	WASHER, 6×9	-	-	2		
13	92000-06028	BOLT, hex., 6×28	2	2	2		
○14	92100-08060-0B	BOLT, hex., 8×60 (Used in U.S.A.)	-	-	2		
15	93500-06020-49	SCREW, pan, 6×20 (Used in E.D.).....	-	3	3		
16	94001-06000	NUT, hex., 6 mm (Used in E.D.)	-	3	3		
17	94101-06000	WASHER, plain, 6 mm (Not used in E.D.)...	2	2	2		
		WASHER, plain, 6 mm (Used in E.D.)	-	5	5		
○18	94101-08200	WASHER, plain, 8mm (Used in U.S.A.) ...	-	-	2		
19	94111-06000	WASHER, spring, 6 mm (Used in E.D.) ...	-	3	3		


 Courtesy of **Honda4Fun**
www.honda4fun.com

* CB750-1053399 and subsequent are available for the other markets except for U.S.A.

F-23 Speedometer · Tachometer

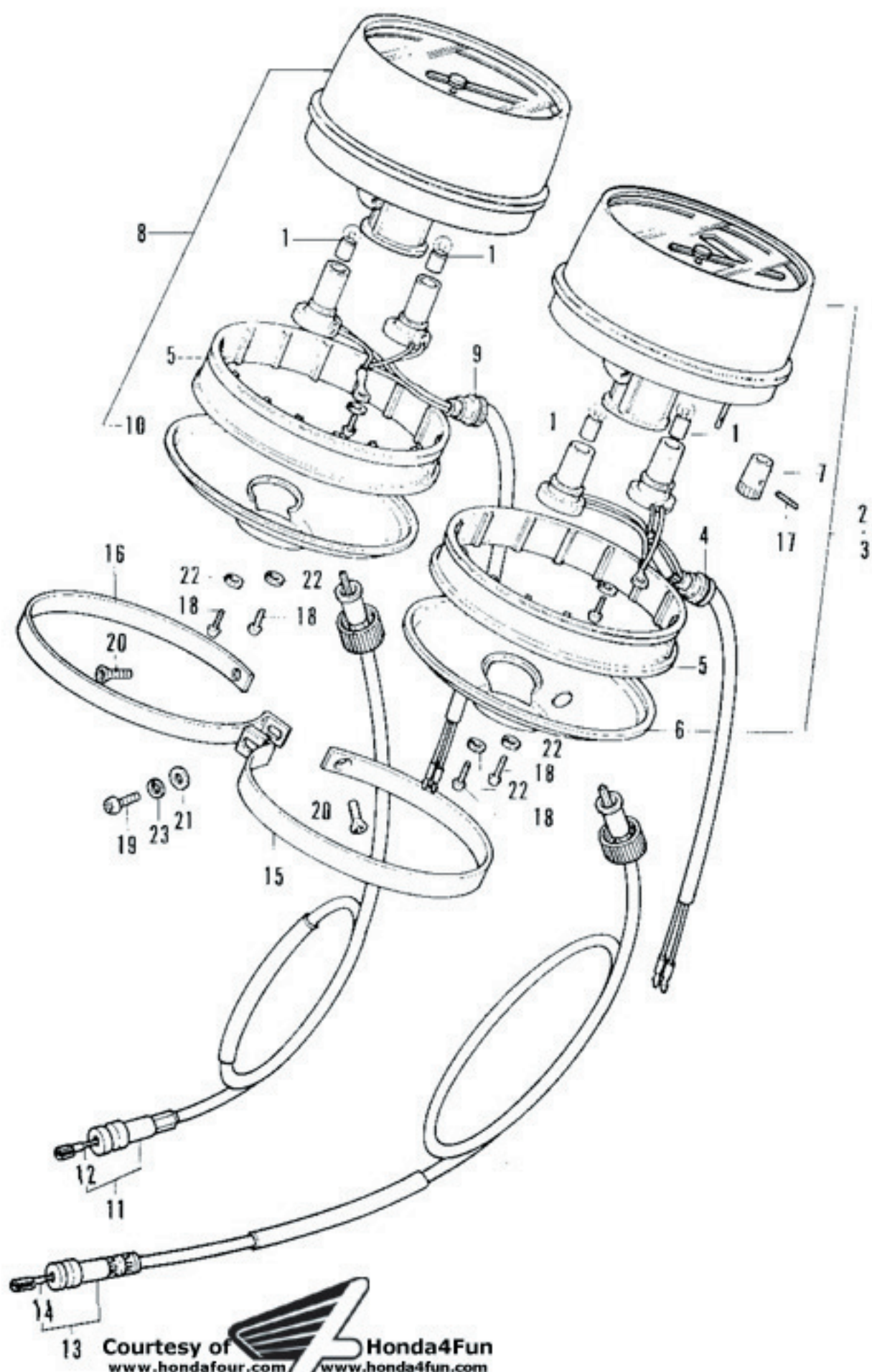


13 Courtesy of  Honda4Fun
www.honda4fun.com www.honda4fun.com

F-23 Speedometer · Tachometer

Ref. No.	Part No.	Description	Reqd. No.			F.R.T.	Remarks
			CB 750	CB 750K1	CB 750K2		
1	34902-259-000	BULB, dash (12V 3W)	8	8	4	0.4	
2	37230-300-621	SPEEDOMETER ASSY. (KM)	1	-	-	0.3	~1044649
	37230-300-622	(Superseded by 37230-300-623)					
○	37230-300-623	SPEEDOMETER ASSY. (KM)	-	1	-		CB750-1044650~
		(Used in Germany, France, Netherlands, General export & E.D.)					
○	37230-341-621	SPEEDOMETER ASSY.	-	-	1		
		(Used in Germany, France, E.D. & General export)					
3	37230-300-671	SPEEDOMETER ASSY. (Mile).....	1	-	-		~1044649
	37230-300-672	SPEEDOMETER ASSY. (Mile).....	-	1			CB750-1044650~
		(Used in U.S.A., England, Australia & General export)					
○	37230-341-671	SPEEDOMETER ASSY.	-	-	1		
		(Used in U.S.A., England & General export)					
4	37234-300-009	SOCKET COMP., speedometer	1	1	-	0.4	
○	37234-300-009	SOCKET COMP., speedometer	-	-	1		
5	37235-300-009	CUSHION, speedotachometer.....	2	-	-	0.4	~1003433
	37235-300-019	CUSHION, speedotachometer.....	2	-	-		CB750-1003434~1044649
	37235-300-029	CUSHION, speedotachometer.....	-	2	2		CB750-1044650~
6	37236-300-009	PLATE, speedometer under	1	1	1	0.4	
7	37237-300-000	KNOB, tripmeter	1	1	1	0.1	
8	37240-300-019	TACHOMETER ASSY.	1	-		0.3	~1044649
	37240-300-020	TACHOMETER ASSY.	-	1			CB750-1044650~
○	37240-341-009	TACHOMETER	-	-	1		
9	37244-300-009	SOCKET COMP., tachometer	1	1	-	0.4	
○	37244-341-009	SOCKET COMP., tachometer	-	-	1		
10	37246-300-009	PLATE, tachometer under	1	1		0.4	

F-23 Speedometer · Tachometer



13 Courtesy of  Honda4Fun
www.honda4fun.com www.honda4fun.com

F-23 Speedometer • Tachometer

Ref. No.	Part No.	Description	Reqd. No.			F.R.T.	Remarks
			03 750	03 750K1	03 750K2		
11	37260-300-000	CABLE ASSY., tachometer.....	1	1	1	0.2	
12	37261-300-000	CABLE, inner	1	1	1	0.1	
13	44830-300-010	(Changing to 44830-300-672)					
	44830-300-672	CABLE ASSY., speedometer	1	1	1	0.2	
14	44831-300-000	(Changing to 44831-300-672)					
	44831-300-672	INNER, speedometer cable	1	1	1	0.1	
15	53231-300-000	BRACKET, speedometer	1	1	1	0.2	
16	53232-300-000	BRACKET, tachometer.....	1	1	1	0.2	
17	90168-300-000	SCREW, tripmeter knob	1	1	1	0.1	
18	93500-03006-0B	SCREW, pan, 3×5.....	4	4	4		
19	93500-05020-4J	SCREW, pan, 5×20	1	1	1		
20	93600-05014-0B	SCREW, flat, 5×14	2	2	2		
21	94101-05000	WASHER, plain, 5 mm.....	1	1	1		
22	94111-03300	WASHER, spring, 3 mm	4	4	4		
23	94111-05000	WASHER, spring, 5 mm	1	1	1		

F-24 Head Light
(Used in Australia & General export)

