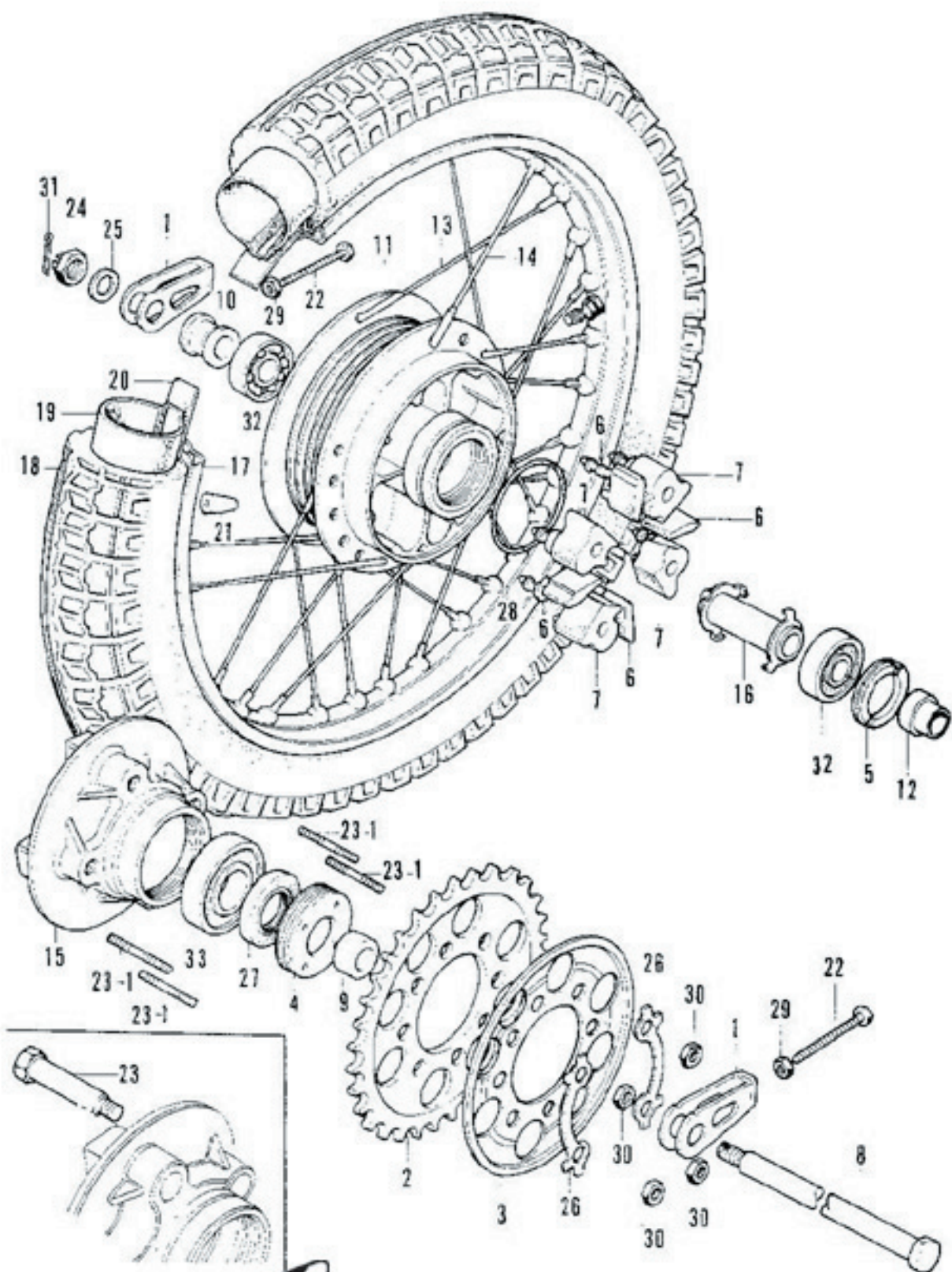


F-17 Rear Brake Pedal - Panel

Ref. No.	Part No.	Description	Reqd. No.			F.R.T	Remarks
			08 750	03 750K1	03 750K2		
1	43100-300-020	PANEL, rear brake	1	-	-	0.9	~1026020
	43100-300-030	PANEL, rear brake	1	1	1		CB750-1026021~
2	43106-222-300	WASHER, rear brake anchor pin.....	1	-	-	0.9	~1026020
	43102-319-000	WASHER, rear brake anchor pin.....	1	1	1		CB750-1026021~
3	43120-300-010	SHOE COMP., rear brake	2	2	2	0.9	
4	43134-300-000	DUST-SEAL, brake cover	1	1	1	0.2	
5	43141-300-010	CAM, rear brake	1	1	1	0.9	
6	43151-283-000	(Superseded by 95014-74320)					
○	95014-74320	SPRING C2, brake shoe	2	2	2	0.9	
7	43410-300-020	ARM, rear brake	1	1	1	0.2	
8	43451-300-010	ROD COMP., rear brake.....	1	1	-	0.7	
○	43451-341-000	ROD COMP., rear brake.....	-	-	1		
9	43453-250-000	JOINT, rear brake arm	1	1	1	0.1	
10	43471-292-010	(Superseded by 95015-52000)					
○	95015-52000	PIN B, joint.....	1	1	1	0.7	
11	43472-212-000	SPRING, rear brake rod	1	1	1	0.1	
12	43486-250-000	NUT, rear brake adjusting	1	1	1	0.1	
13	46500-300-010	(Superseded by 46500-341-000)	1	1	-	0.2	
○	46500-341-000	PEDAL, rear brake	-	-	1		
14	46510-300-010	SPINDLE COMP., rear brake	1	1	1	0.7	
15	46514-300-000	SPRING, brake pedal	1	1	1	0.7	
○16	92000-06020	BOLT, hex., 6×20	-	-	1		
17	92000-08022-0A	BOLT, hex., 8×22	1	1	1		
18	92000-08028-0A	BOLT, hex., 8×28	1	1	1		
○19	94002-06000	NUT, hex., 6 mm	-	-	1		
20	94111-08000	WASHER, spring, 8 mm	1	1	1		
21	94201-16150	PIN, split, 1.6×15	1	1	1		
22	94201-25200	PIN, split, 2.5×20	2	2	2		

F-18 Rear Wheel - Driven Sprocket

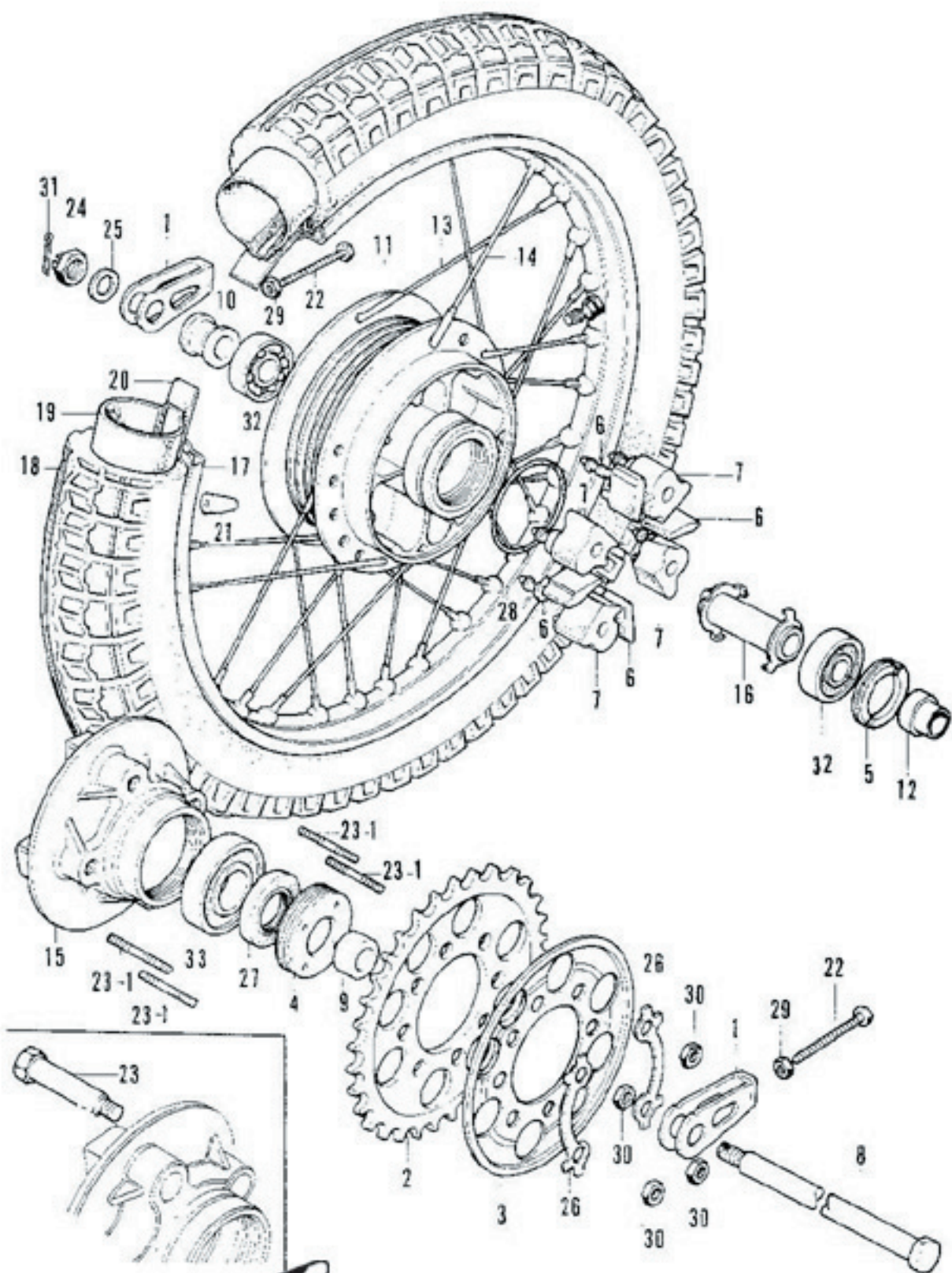


Courtesy of  Honda4Fun
www.honda4fun.com

F-18 Rear Wheel - Driven Sprocket

Ref. No.	Part No.	Description	Reqd. No.			F.R.T.	Remarks
			58 790	58 790K1	08 790K2		
1	40543-300-000	(Superseded by 95014-19000)					
○	95014-19000	ADJUSTER K, chain	2	2	2	0.6	
2	41205-300-000	SPROCKET, final driven (45T).....	1	-	-	0.8	~1044649
	41201-300-870	SPROCKET, final driven (48T).....	-	1	1		CB750-1044650~
3	41211-300-000	PLATE, sprocket side	1	1	-		CB750-1026845~
○	41211-341-000	PLATE, sprocket side	-	-	1		
4	41231-283-000	RETAINER, rear wheel	1	1	1	0.9	
5	41231-300-020	RETAINER, rear wheel	1	1	1		
6	41241-300-020	(Superseded by 41241-300-030)					
	41241-300-030	(Superseded by 41024-300-000)	4	-	-	0.7	
○	41024-300-000	DAMPER-SET, rear wheel	1	-	-		~1044649
	41241-300-040	DAMPER, right rear wheel	-	4	4		CB750-1044650~
7	41242-300-000	(Superseded by 41242-300-010)					
	41242-300-010	(Superseded by 41024-300-000)	4	-	-	0.7	
	41242-300-020	DAMPER, left rear wheel	-	4	4		CB750-1044650~
8	42301-300-000	AXLE, rear wheel	1	-	-	0.6	~1044649
	42301-300-010	AXLE, rear wheel	-	1	1		CB750-1044650~
9	42311-300-010	COLLAR, rear wheel side	1	1	1	0.6	
10	42313-300-020	COLLAR, rear brake panel side	1	1	1	0.6	
11	42601-300-020	HUB COMP., rear wheel	1	1	-	3.5	~1073285
	42601-300-030	HUB COMP., rear wheel	-	1	1		CB750-1073286~
12	42606-300-000	SLEEVE, rear axle	1	1	1	0.9	
13	42606-300-003	SPOKE A, rear (DAIDO)	20	20	20	2.5	
14	42607-300-003	SPOKE B, rear (DAIDO)	20	20	20	2.5	
15	42610-300-030	FLANGE, final driven	1	1	-	1.0	
○	42610-341-000	(Superseded by 42609-341-000)					
○	42609-341-000	FLANGE COMP., final driven	-	-	1		

F-18 Rear Wheel - Driven Sprocket

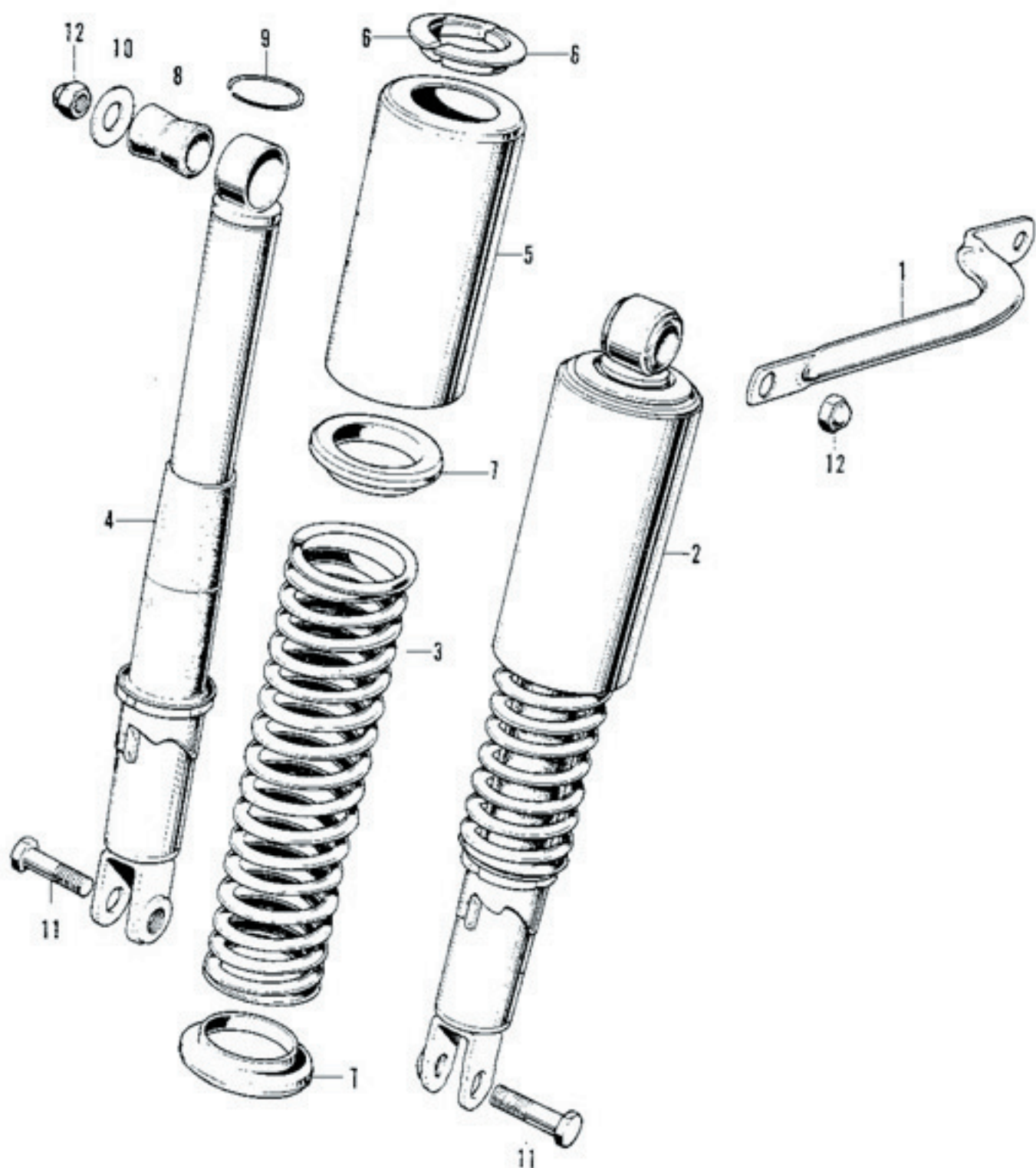


Courtesy of  Honda4Fun
www.honda4fun.com

F-18 Rear Wheel - Driven Sprocket

Ref. No.	Part No.	Description	Reqd. No.			F.R.T.	Remarks
			CB 750	CB 750K1	CB 750K2		
16	42620-300-010	COLLAR, rear axle distance	1	1	1	0.9	
17	42701-300-013	RIM, rear wheel (DAIDO)	1	1	1	3.5	
18	42711-300-003	(Superseded by 42711-300-013)	1	1	-		~1095605
○	42711-300-013	TIRE, rear wheel (B.S. MC 4.00-18 4P.R.)...	-	1	1	1.4	CB750-1095606~
	42711-300-004	(Superseded by 42711-300-014)	1	1	-		~1095605
○	42711-300-014	TIRE, rear wheel (DUNLOP S4.00-18 4P.R.)	-	1	1		CB750-1095606~
19	42712-300-000	TUBE, rear wheel	1	1	1	1.4	
20	42713-300-000	FLAP, rear tire	1	1	1	1.4	
21	44606-283-000	BALANCER, wheel (20g)	(0	~	2)		
	44607-283-000	BALANCER, wheel (15g)	(0	~	2)		
	44608-283-000	BALANCER, wheel (10g)	(0	~	2)		
	44609-283-000	BALANCER, wheel (5g)	(0	~	2)		
22	90119-300-000	BOLT, chain adjusting	2	2	2	0.1	
23	90128-300-030	(Make use of 42609-341-000)					
○23-1	90128-341-000	BOLT, stud, 12×54	4	4	-	0.8	
24	90306-268-000	NUT, rear axle	1	1	1	0.2	
25	90523-292-000	WASHER, 18.5×34	1	1	1	0.2	
26	90523-300-000	WASHER, tongued, 12 mm.....	2	2	2	0.7	
27	90753-283-000	OIL-SEAL, 34×56×9	1	1	1	0.9	
28	91258-300-013	D-RING, 68×2.6 (ARAI)	1	1	1	0.7	
29	94002-08000-0S	NUT, hex., 8 mm	2	2	2		
30	94030-12000	NUT, hex., 12 mm	4	4	4		
31	94201-40300	PIN, split, 4.0×30	1	1	1		
32	96120-63040	BEARING, ball, 6304	2	2	2		
33	96120-63050	BEARING, ball, 6305	1	1	1		

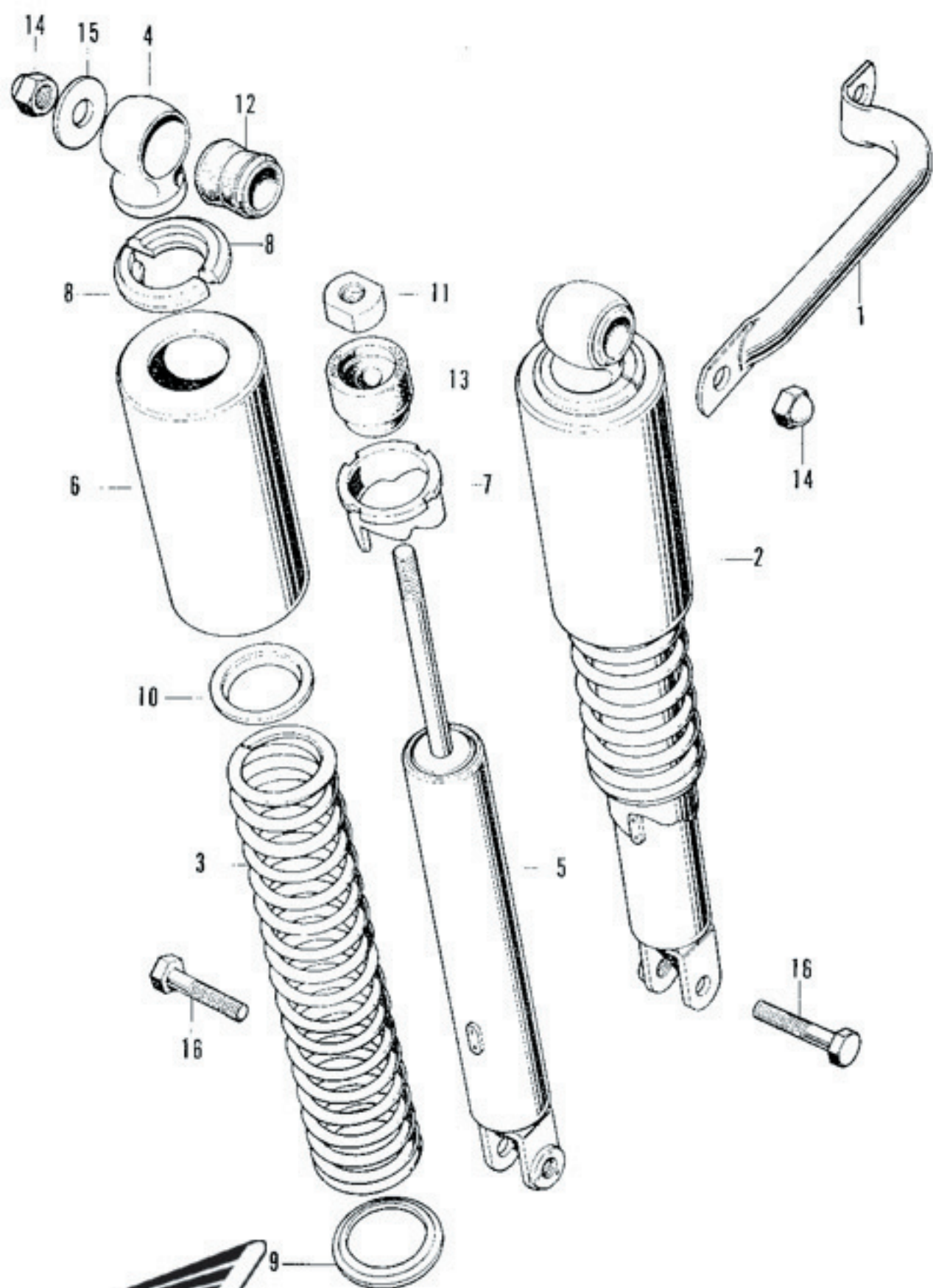
F-19 Rear Cushion



F-19 Rear Cushion

Ref. No.	Part No.	Description	Reqd. No.			F.R.T.	Remarks
			08 790	08 790K1	08 790K2		
1	50316-300-090	GRIP, side	1	1	-	0.1	
2	52400-300-010XW	CUSHION ASSY., rear (Chrome)	2	2	-	0.2	~1048751
	52400-300-020XW	CUSHION ASSY., rear (Chrome)	-	2	-		CB750-1048752~
3	52401-300-010	SPRING, rear cushion	2	2	-	0.5	~1048751
	52401-300-020	SPRING, rear cushion	-	2	-		CB750-1048752~
4	52410-300-010	DAMPER ASSY., rear.....	2	2	-	0.5	
5	52421-300-000XW	CASE, rear cushion upper (Chrome)	2	2	-	0.5	
6	52424-292-000	STOPPER, spring seat.....	4	4	-		
7	52459-312-003	SEAT, rear cushion spring.....	-	4	-	0.5	CB750-1048752~
8	52484-292-000	RUBBER, joint	2	2	-	0.2	
9	52485-300-000	(Superseded by 52446-074-003)					
	52446-074-003	STOPPER.....	2	2	-	0.6	
10	90521-292-000	WASHER, 10.3 mm	1	1	-	0.1	
11	93200-10032-0B	BOLT, hex., 10×32	2	2	-		
12	94022-10020	NUT, hex., cap, 10 mm.....	2	2	-		

F-20 Rear Cushion

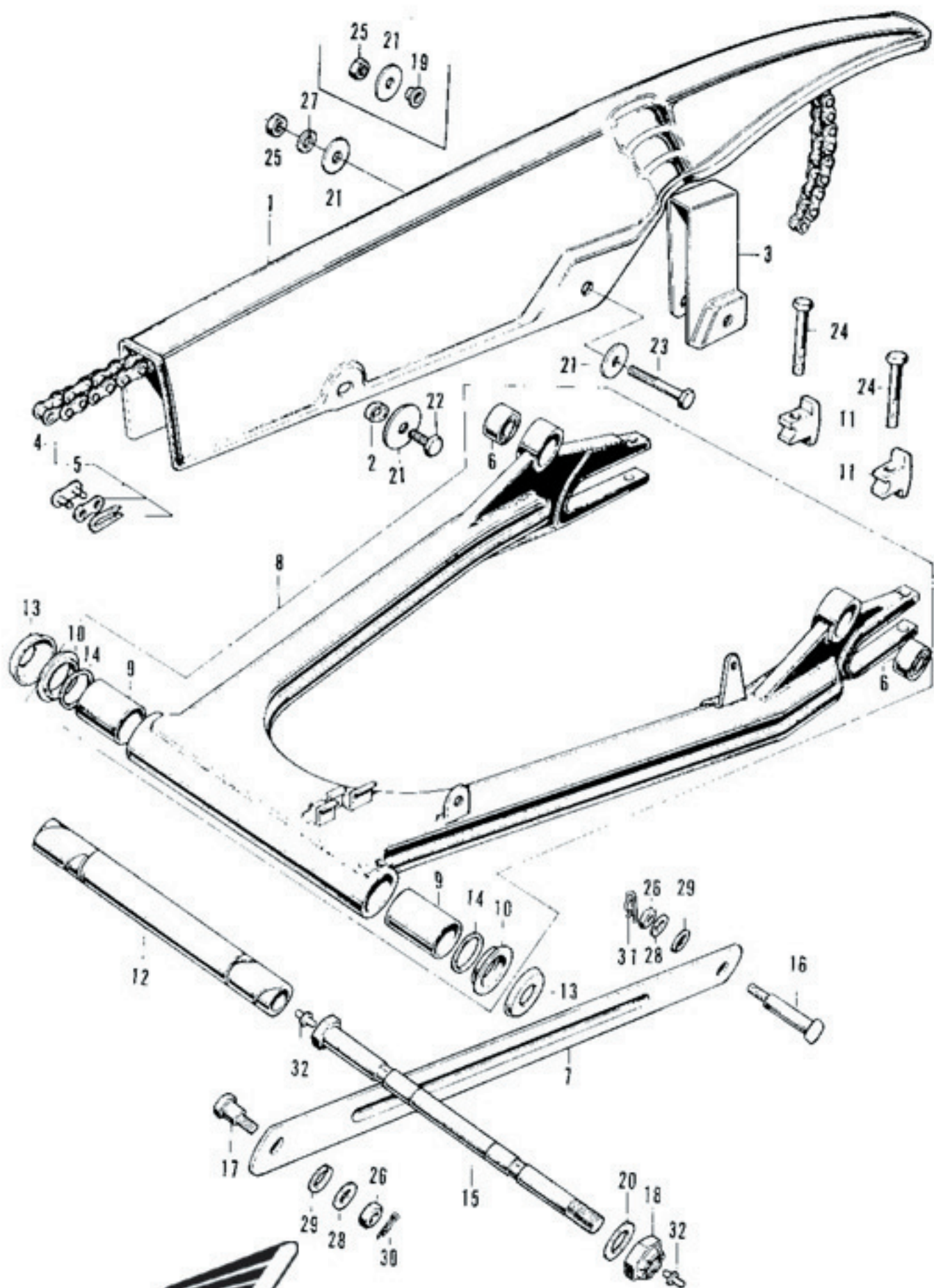


Courtesy of  Honda4Fun
www.honda4fun.com

F-20 Rear Cushion

Ref. No.	Part No.	Description	Reqd. No.			F.R.T.	Remarks
			63 758	61 758K1	68 758K2		
1	50316-300-030	GRIP, side (Not used in U.S.A.)	-	-	1	0.1	
2	52400-341-000XW	CUSHION ASSY., rear (Chrome)	-	-	2	0.2	
3	52401-341-000	SPRING, rear cushion	-	-	2	0.6	
4	52403-312-000	JOINT, upper	-	-	2	0.6	
5	52410-341-000	DAMPER COMP., rear	-	-	2	0.6	
6	52421-300-000XW	CASE, rear cushion upper (Chrome)	-	-	2	0.5	
7	52422-292-000	ADJUSTER, spring	-	-	2	0.6	
8	52424-331-003	STOPPER, spring seat	-	-	4	0.4	
9	52458-312-000	SEAT, under spring	-	-	2	0.6	
10	52459-312-003	SEAT, rear cushion spring	-	-	4	0.6	
11	52482-312-000	NUT, lock, 10 mm	-	-	2	0.6	
12	52484-292-000	RUBBER, joint	-	-	2	0.2	
13	52517-312-000	RUBBER, stopper	-	-	2	0.6	
14	90309-315-000	NUT, rear cushion upper	-	-	2	0.1	
15	90521-292-000	WASHER, 10.3 mm	-	-	3	0.1	
16	93200-10032-0B	BOLT, hex., 10x32	-	-	2		

F-21 Rear Fork · Chain Case



Courtesy of  Honda4Fun
www.honda4fun.com www.honda4fun.com