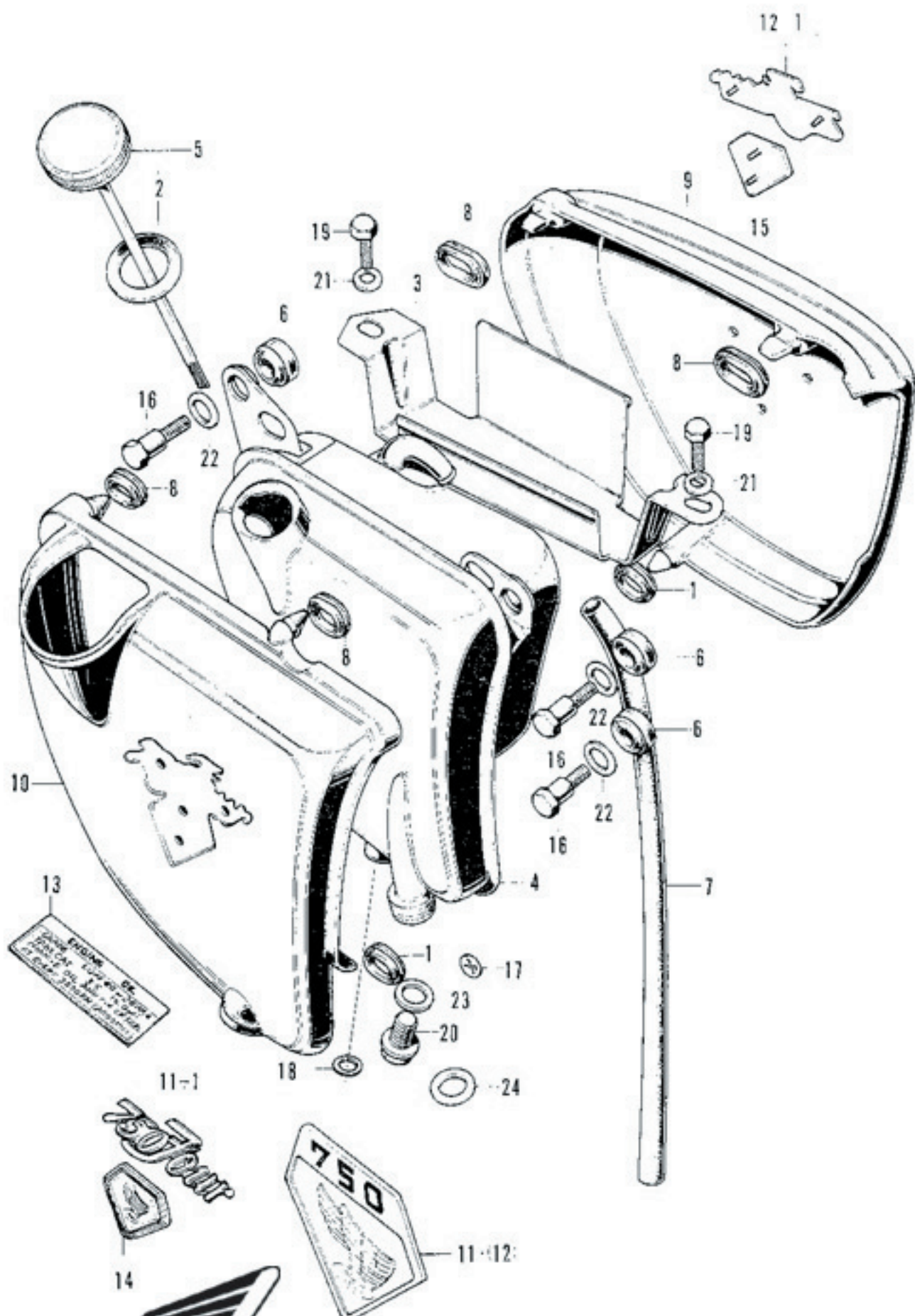


F-15 Oil Tank - Tank & Battery Cover

Ref. No.	Part No.	Description	Reqd. No.			F.R.T.	Remarks
			CB 750	CB 752K1	CB 750K2		
1	17247-240-000	(Superseded by 17247-303-000)					
	17247-303-000	GROMMET A, cleaner case	2	2	2	0.1	
2	17631-253-000	PACKING, fuel filler cap	1	1	1	0.1	
3	50341-300-010	TRAY, tool	1	1	1	0.1	
4	55100-300-050B	TANK COMP., oil (Black)	1	-	-	0.3	~1044649
	55100-300-060B	TANK COMP., oil (Black)	-	1	1		CB750-1044650~ *
5	55105-300-010	CAP, oil tank	1	1	1	0.1	
6	55106-300-000	RUBBER, oil tank	3	3	3	0.1	
7	55107-300-000	PIPE, oil tank breather	1	1	1	0.1	
8	83551-300-000	GROMMET, air cleaner	4	4	4	0.1	
9	83600-300-020AZ	COVER, battery (Candy blue green)	1	-	-	0.1	~1044649
	83600-300-020CM	COVER, battery (Candy ruby red)	1	-	-		~1044649
	83600-300-020CQ	COVER, battery (Candy gold)	1	-	-		CB750-1019210~1044649
	83600-300-030AZ	COVER, battery (Candy blue green)	-	1	-		CB750-1044650~ *
	83600-300-030CM	COVER, battery (Candy ruby red)	-	1	1		CB750-1044650~ *
	83600-300-030CQ	COVER, battery (Candy gold)	-	1	-		CB750-1044650~ *
	83600-300-030EE	COVER, battery (Candy garnet brown)	-	1	-		CB750-1044650~ *
	83600-300-030EF	COVER, battery (Valley green metallic).....	-	1	-		CB750-1044650~ *
	83600-300-030EG	COVER, battery (Polynesian blue metallic)...	-	1	-		CB750-1044650~ *
○	83600-300-030LU	COVER, battery (Brier brown metallic custom)	-	-	1		
○	83600-300-030LV	COVER, battery (Flake sunrise orange)	-	-	1		
○	83600-300-030LX	COVER, battery (Candy gold custom).....	-	-	1		
○	83600-300-030MV	COVER, battery (Planet blue metallic custom)	-	-	1		
10	83700-300-020AZ	COVER, oil tank (Candy blue green)	1	-	-	0.1	~1044649
	83700-300-020CM	COVER, oil tank (Candy ruby red).....	1	-	-		~1044649
	83700-300-020CQ	COVER, oil tank (Candy gold)	1	-	-		~1044649
	83700-300-030AZ	COVER, oil tank (Candy blue green)	-	1	-		CB750-1044650~ *
	83700-300-030CM	COVER, oil tank (Candy ruby red).....	-	1	1		CB750-1044650~ *
	83700-300-030CQ	COVER, oil tank (Candy gold)	-	1	-		CB750-1044650~ *
	83700-300-030EE	COVER, oil tank (Candy garnet brown).....	-	1	-		CB750-1044650~ *
	83700-300-030EF	COVER, oil tank (Valley green metallic) ...	-	1	-		CB750-1044650~ *
	83700-300-030EG	COVER, oil tank (Polynesian blue metallic) ...	-	1	-		CB750-1044650~ *
○	83700-300-030LU	COVER, battery (Brier brown metallic custom)	-	-	1		
○	83700-300-030LV	COVER, battery (Flake sunrise orange)	-	-	1		
○	83700-300-030LX	COVER, battery (Candy gold custom).....	-	-	1		
○	33700-300-030MV	COVER, oil tank (Planet blue metallic custom)	-	-	1		


 Courtesy of **Honda4Fun**
www.hondafour.com www.honda4fun.com

* CB750-1053399 and subsequent are available for the other markets except for U.S.A.



F-15 Oil Tank · Tank & Battery Cover

Ref. No.	Part No.	Description	Reqd. No.			F.R.T.	Remarks
			68 750	69 750X1	69 750K2		
11	87123-300-020B	EMBLEM, right side (Black)	1	-	-	0.1	CB750-1019210~1044649
	87123-300-020DM	EMBLEM, right side (Sunny gold metallic)...	1	-	-		~1044649
11-1	87123-300-030	EMBLEM A, oil tank & battery cover	-	2	-	0.1	CB750-1044650~ *
○	87123-341-000	EMBLEM A, oil tank & battery cover	-	-	2		
12	87124-300-020B	EMBLEM, left side (Black)	1	-	-	0.1	CB750-1019210~1044649
	87124-300-020DM	EMBLEM, left side (Sunny gold metallic) ...	1	-	-		~1044649
12-1	87124-300-030	(Superseded by 87123-300-030)	-	1	-	0.1	CB750-1044650~ *
13	87125-300-000	PLATE, oil caution	1	-	-	0.1	~1044649
	87125-300-010	PLATE, oil caution	-	1	1		CB750-1044650~ *
14	87126-300-000	EMBLEM B, battery cover	-	1	-	0.1	CB750-1044650~ *
○	87126-341-000	EMBLEM B, battery cover	-	-	1		
15	87127-300-000	EMBLEM B, oil tank cover	-	1	-	0.1	CB750-1044650~ *
○	87127-341-000	EMBLEM B, oil tank cover	-	-	1		
16	90141-300-000	BOLT A, 6 mm	3	3	3	0.1	
17	90313-512-000	(Superseded by 90313-567-000)					
○	90313-567-000	NUT, speed, 3 mm	4	4	4	0.1	
18	90441-512-000	WASHER, sealing, 12 mm	1	1	1	0.1	
19	92000-06012	BOLT, hex., 6×12	2	2	2		
20	92800-12000	BOLT, drain plug, 12 mm	1	1	1		
21	94101-06000	WASHER, plain, 6 mm	2	2	2		
22	94101-08000	WASHER, plain, 8 mm	3	3	3		
23	94109-12000	WASHER, plug, 12 mm	1	1	1		
24	94109-14000	WASHER, plug, 14 mm	1	1	1		

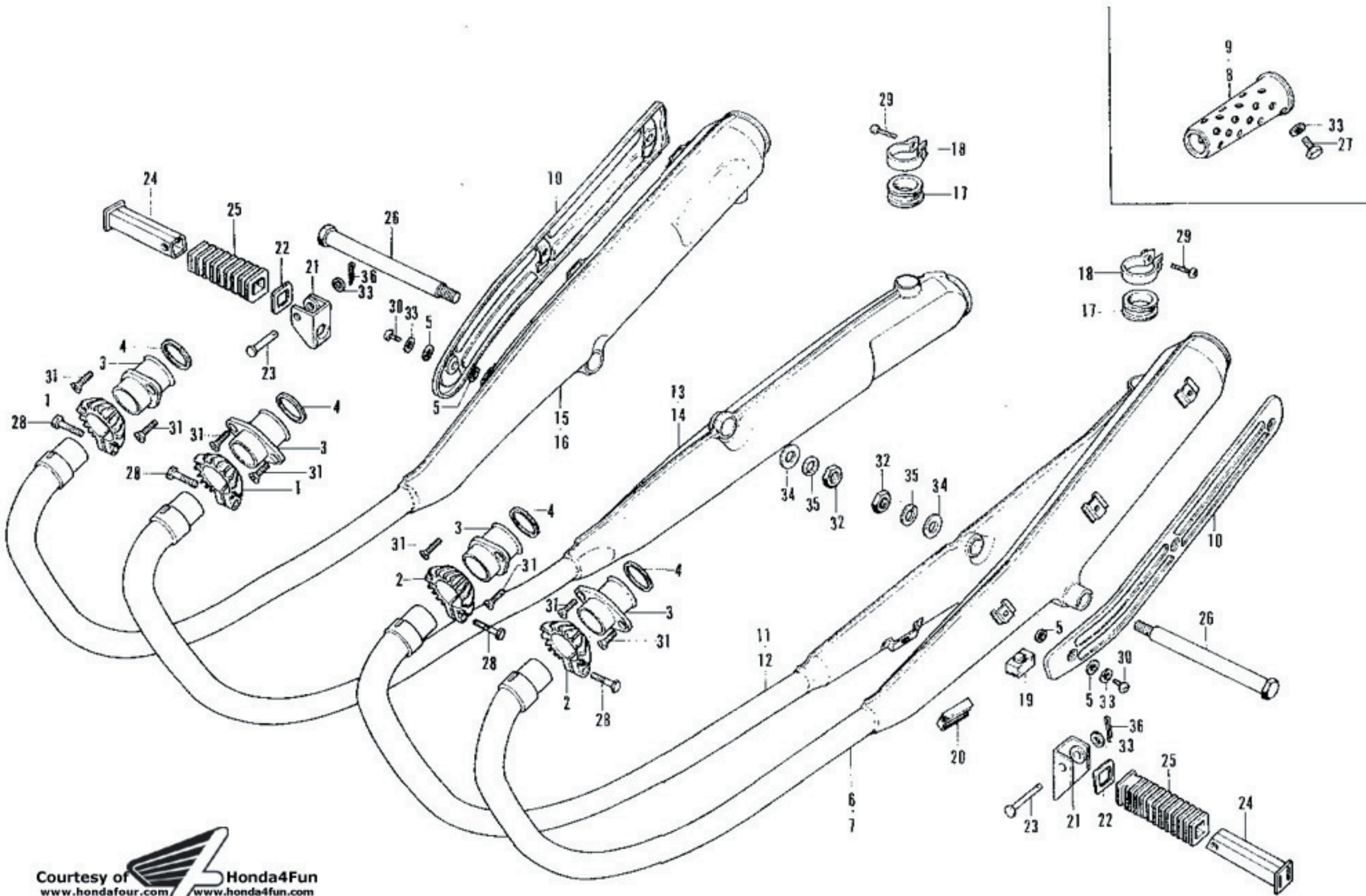


 Courtesy of **Honda4Fun**

www.honda4fun.com

* CB750-1053399 and subsequent are available for the other markets except for U.S.A.

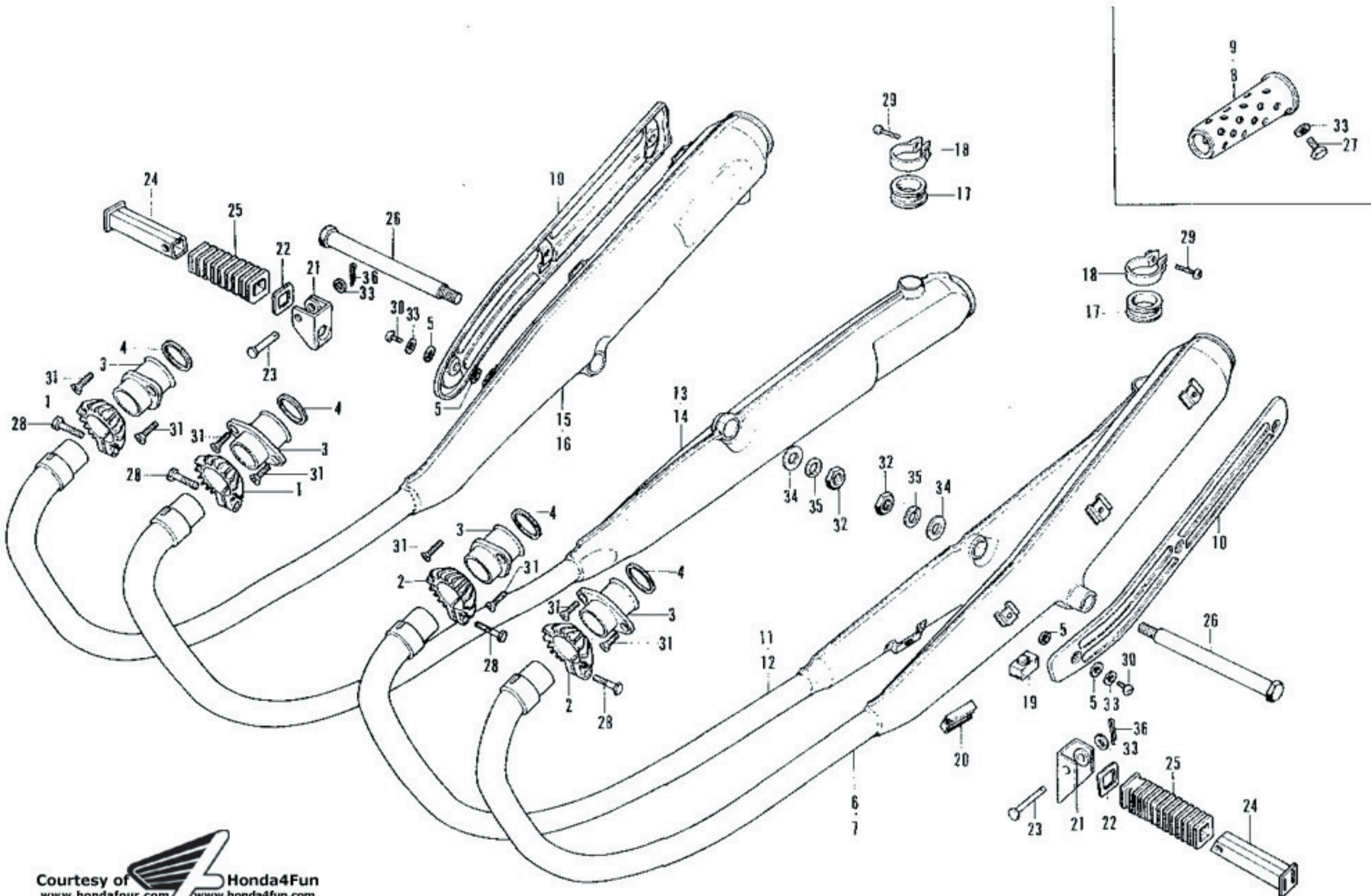
F-16 Exhaust Muffler



F-16 Exhaust Muffler

Ref. No.	Part No.	Description	Reqd. No.			F.R.T.	Remarks
			CS	CS	CS		
			750	750K1	750K2		
1	18231-300-000	(Superseded by 18231-300-010)					
	18231-300-010	JOINT, right exhaust pipe	2	2	2	0.3	
2	18232-300-000	(Superseded by 18232-300-010)					
	18232-300-010	JOINT, left exhaust pipe	2	2	2	0.3	
3	18236-300-010	FLANGE, exhaust	2	-	-	0.3	~1026143
	18236-300-020	(Superseded by 18236-300-030)					
	18236-300-030	FLANGE, exhaust	4	4	4		CB750-1026144~
4	18291-254-000	GASKET, exhaust pipe	4	4	4	0.3	
5	18292-290-000	PACKING, protector	12	12	12	0.1	
6	18300-300-030	(Superseded by 18300-300-345)					
	18300-300-345	MUFFLER-SET I, exhaust	1	-	-	0.3	~1001221
	18300-300-040	MUFFLER COMP. I, exhaust	1	1	-		CB750-1001222~
		(Not used in France, Germany, Netherlands & E.D.)					
O	18300-341-000	MUFFLER COMP. I, exhaust	-	-	1		
7	18300-300-620	MUFFLER COMP. I, exhaust	1	1	-	0.3	CB750-1003480~
		(Used in France, Germany, Netherlands & E.D.)					
8	18311-300-320	DIFFUSER, exhaust	4	4	-	0.1	CB750-1004149~
		(Not used in France, Germany, Netherlands & E.D.)					
9	18311-300-620	DIFFUSER, exhaust	4	4	-	0.1	
		(Used in France, Germany, Netherlands & E.D.)					
10	18315-300-010	PROTECTOR, muffler	2	-	-	0.1	~1044649
	18315-300-020	PROTECTOR, muffler	-	2	2		CB750-1044650~

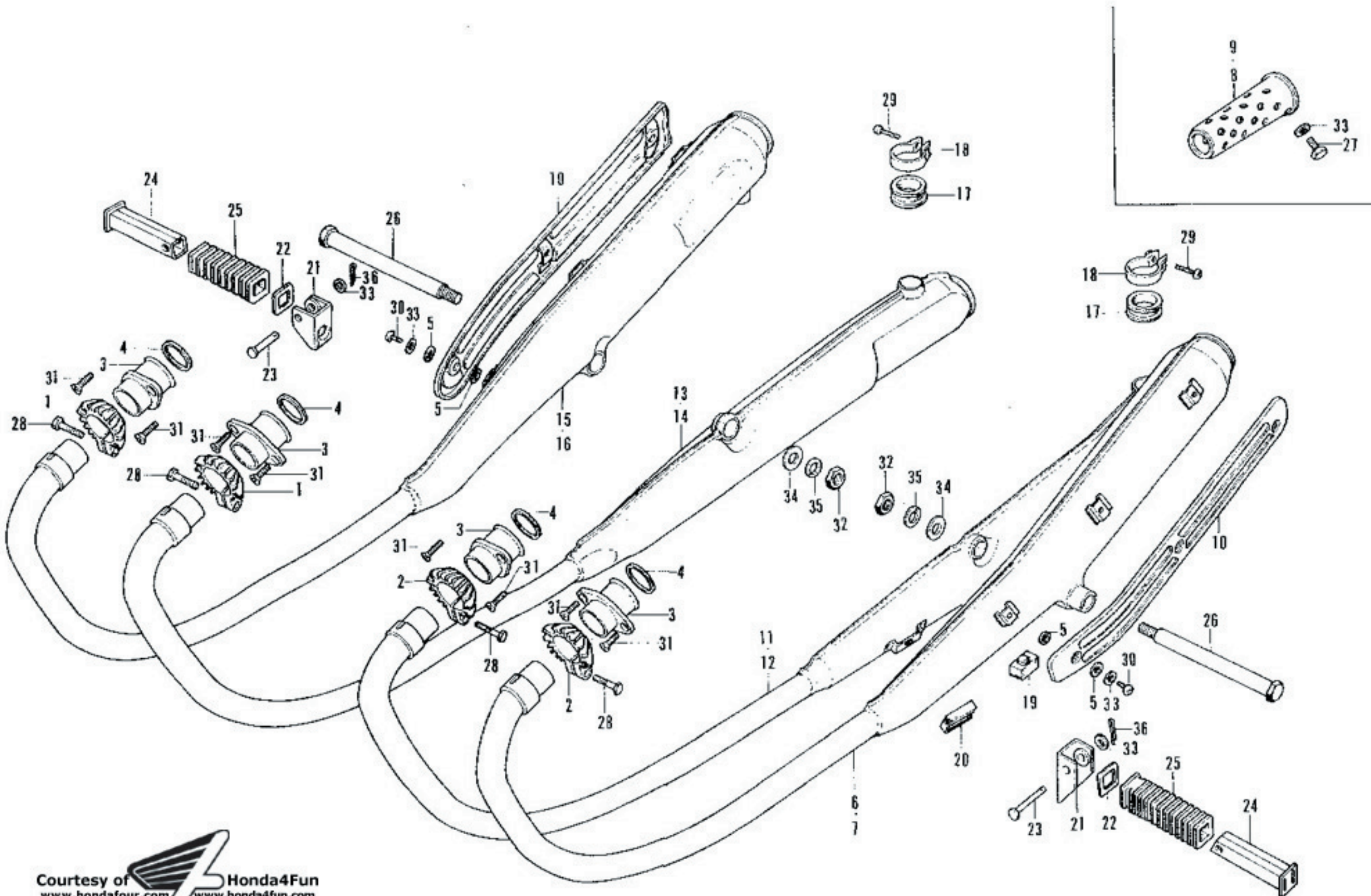
F-16 Exhaust Muffler



F-16 Exhaust Muffler

Ref. No.	Part No.	Description	Reqd. No.			F.R.T.	Remarks
			63	64	65		
11	18350-300-030	MUFFLER COMP. II, exhaust (Not used in France, Germany, Netherlands & E.D.)	1	1	-	0.3	
○	18350-341-000	MUFFLER COMP. II, exhaust -	-	-	-	1	
12	18350-300-620	MUFFLER COMP. II, exhaust (Used in France, Germany, Netherlands & E.D.)	1	1	-	0.3	
13	18400-300-030	MUFFLER COMP. III, exhaust (Not used in France, Germany, Netherlands & E.D.)	1	1	-	0.3	
○	18400-341-000	MUFFLER COMP. III, exhaust -	-	-	-	1	
14	18400-300-620	MUFFLER COMP. III, exhaust (Used in France, Germany, Netherlands & E.D.)	1	1	-	0.3	
15	18450-300-030	(Superseded by 18450-300-345)				0.3	
	18450-300-345	MUFFLER-SET IV, exhaust	1	-	-		~1001221
	18450-300-040	MUFFLER COMP. IV, exhaust (Not used in France, Germany, Netherlands & E.D.)	1	1	-		CB750-1001222~
○	18450-341-000	MUFFLER COMP. IV, exhaust -	-	-	-	1	
16	18450-300-620	MUFFLER COMP. IV, exhaust (Used in France, Germany, Netherlands & E.D.)	1	1	-	0.3	
17	18472-300-000	TUBE, muffler connecting	2	2	2	0.1	
18	18473-300-000	BAND, muffler connecting	2	2	2	0.1	
19	50524-001-000	(Superseded by 95011-61000)					
○	95011-61000	RUBBER A, stand stopper	1	1	1	0.1	
20	50543-283-000	RUBBER, side stand stopper	1	1	1	0.1	

F-16 Exhaust Muffler



F-16 Exhaust Muffler

Ref. No.	Part No.	Description	Reqd. No.			F.R.T.	Remarks
			05 790	06 790K1	08 790K2		
21	50711-300-010	BRACKET, pillion step	2	2	-	0.2	
○	95015-71100	BRACKET A, pillion step	-	-	2		
22	50712-024-000	WASHER, pillion step	2	2	-	0.1	
○	95015-91000	WASHER, pillion step	-	-	2		
23	50714-300-000	(Superseded by 95015-83000)					
○	95015-83000	PIN C, pillion step.....	2	2	2	0.1	
24	50715-283-000	(Superseded by 95015-62000)					
○	95015-62000	BAR B, pillion step	2	2	2		
25	50731-024-000	RUBBER, pillion step	2	2	-	0.1	
○	95011-31000	RUBBER A, pillion step	-	-	2		
26	90146-300-010	BOLT, pillion step.....	2	-	-	0.1	~1001221
	90146-300-020	BOLT, pillion step.....	2	2	2		CB750-1001222~
27	92000-06012	BOLT, hex., 6×12.....	4	4	-		
28	92000-08032-0A	BOLT, hex., 8×32.....	4	4	4		
29	93500-05016-0A	SCREW, pan, 5×16	2	2	2		
30	93500-06012-49	SCREW, pan, 6×12	6	6	6		
31	93600-08022	SCREW, flat, 8×22	8	8	8		
32	94030-12000	NUT, hex., 12 mm	2	2	2		
33	94101-06000	WASHER, plain, 6 mm	12	12	8		
34	94102-12000	WASHER, plain, 12 mm	2	2	2		
35	94111-12000	WASHER, spring, 12 mm	2	2	2		
36	94201-16150	PIN, split, 1.6×15	2	2	2		

F-17 Rear Brake Pedal - Panel

