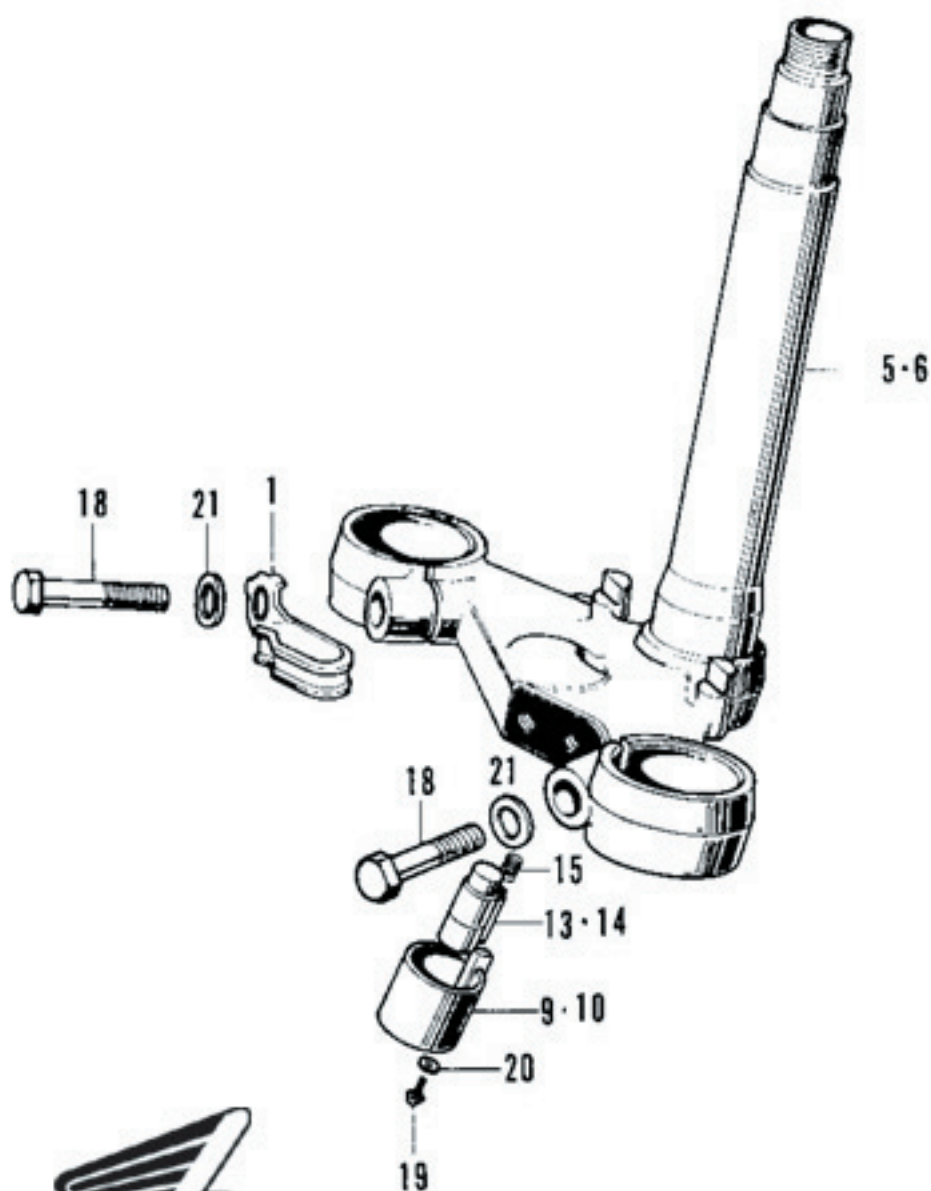
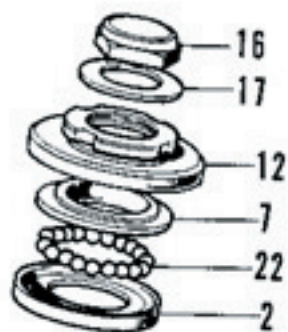


## F-8 Front Cushion

Ref. No.	Part No.	Description	Reqd. No.			F.R.T.	Remarks
			CB 750	CB 750K1	CB 750K2		
21	51611-300-000	BOOT, front fork .....	2	2	2	0.9	
22	51622-292-010	CUSHION, fork cover lower .....	2	2	2	0.9	
23	51634-292-000	HOLDER, front axle .....	2	2	2	0.1	
24	90123-300-000	BOLT, front fork .....	2	2	2	0.1	
25	90543-273-000	PACKING, drain cock .....	2	2	2	0.1	
26	90601-292-000	CIR-CLIP, internal, 47 mm .....	2	-	-	1.5	~1039119
	90601-319-000	CIR-CLIP, internal, 47 mm .....	2	-	-		CB750-1039120~1044649
	94521-50000	CIR-CLIP, internal, 50 mm .....	-	2	2		CB750-1044650~
27	91255-300-013	OIL-SEAL, 354611 (ARAI) .....	2	-	-	1.5	~1044649
	91255-300-023	OIL-SEAL, 354811 (ARAI) .....	-	2	2		CB750-1044650~
	91255-300-025	OIL-SEAL, 354811 (N.O.K.) .....	-	2	2		CB750-1044650~
28	91256-300-003	O-RING, 23x28 (ARAI) .....	2	2	2	0.1	
29	92000-06010	BOLT, hex., 6x10 .....	2	2	2		
30	92700-08049	BOLT, stud, 8x49 .....	4	4	4		
31	94030-08000	NUT, hex., 8 mm .....	4	4	4		
32	94101-08000	WASHER, plain, 8 mm .....	4	4	4		
33	94111-08000	WASHER, spring, 8 mm .....	4	4	4		

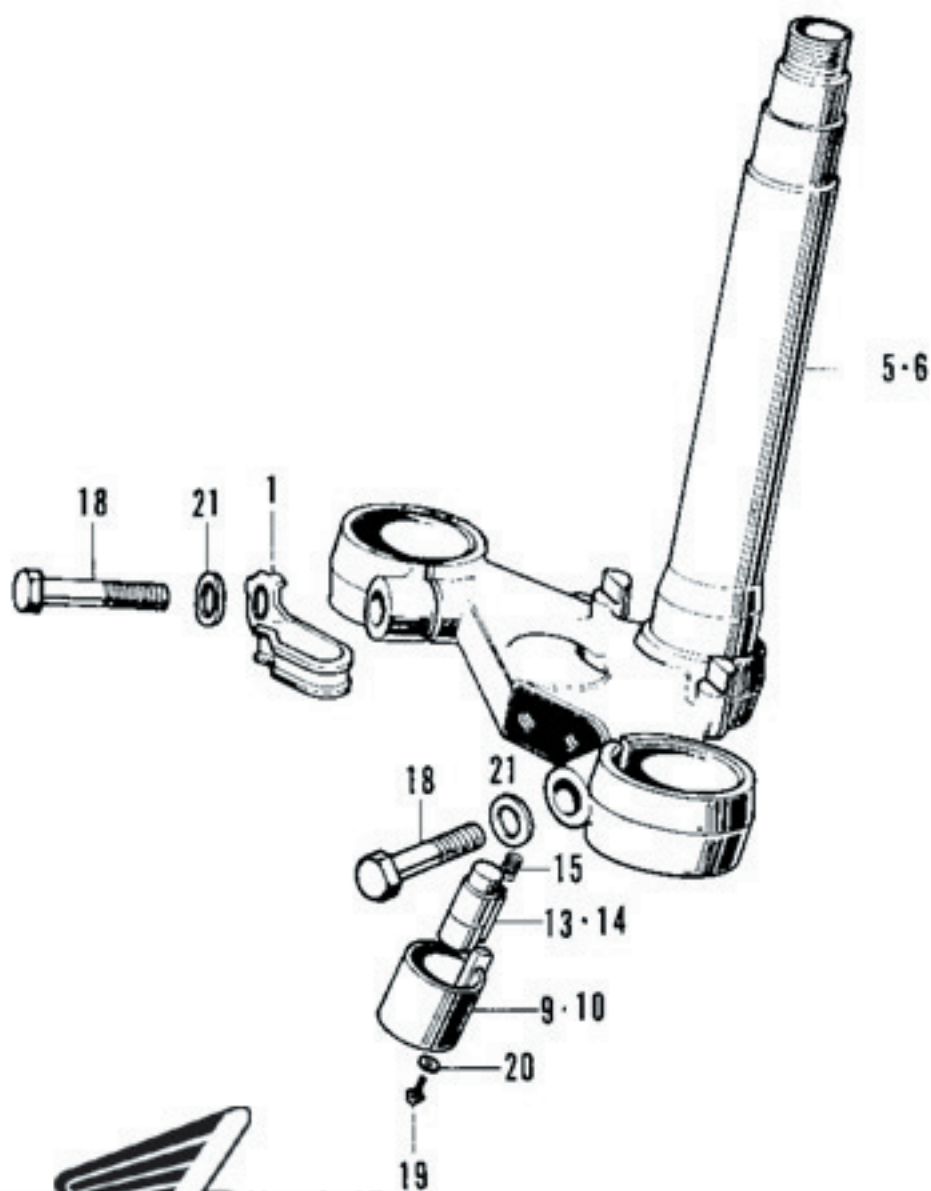
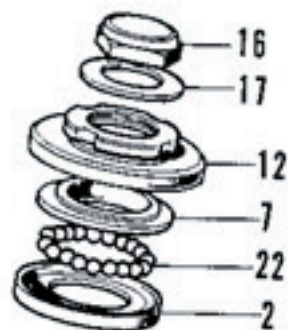
# F-9 Steering Stem



## F-9 Steering Stem

Ref. No.	Part No.	Description	Reqd. No.			F.R.T.	Remarks
			08 750	03 750K1	08 750K2		
1	45465-300-000	CLIP, speedometer cable .....	1	1	1	0.1	
2	50301-268-305	RACE, steering top ball .....	1	1	1	1.0	
3	50302-268-305	RACE, steering bottom ball .....	1	1	1	1.0	
4	53124-250-000	DUST-SEAL, steering head .....	1	1	1	1.0	
5	53200-300-020B	(Superseded by 53020-300-020B)					
	53020-300-020B	STEM COMP., steering (Black) .....	1	1	-	1.5	~1048862
		(Not used in Germany & Netherlands)					
	53200-300-030B	STEM COMP., steering (Black) .....	-	1	1		CB750-1048863~
		(Not used in Germany, Netherlands & E.D.)					
6	53200-300-610B	STEM COMP., steering (Black) .....	1	1	1		CB750-1010360~
		(Used in Germany, Netherlands & E.D.)					
7	53211-268-305	RACE, steering top cone .....	1	1	1	0.7	
8	53212-250-305	RACE, steering bottom cone .....	1	1	1	0.9	
9	53215-230-000	COVER COMP., handle lock case .....	1	1	-	0.1	~1048862
		(Not used in Germany, Netherlands & E.D.)					
	53215-317-000	COVER COMP., handle lock case .....	-	1	1		CB750-1048863~
		(Not used in Germany, Netherlands & E.D.)					
○10		PLATE, handle lock case cover .....	1	1	1		
		(To be locally purchased in Germany, Netherlands & E.D.)					
11	53215-250-000	WASHER, steering head dust-seal .....	1	1	1	1.0	
12	53220-286-000	THREAD COMP., steering head top .....	1	1	1	0.7	
13	53600-230-000	LOCK COMP., handle .....	1	1	1	0.1	
		(Not used in Germany, Netherlands & E.D.)					
○14		LOCK-KEY, steering handle .....	1	1	1		
		(To be locally purchased in Germany, Netherlands & E.D.)					
15	53631-268-020	SPRING, handle lock .....	1	1	1	0.1	
		(Not used in Germany, Netherlands & E.D.)					

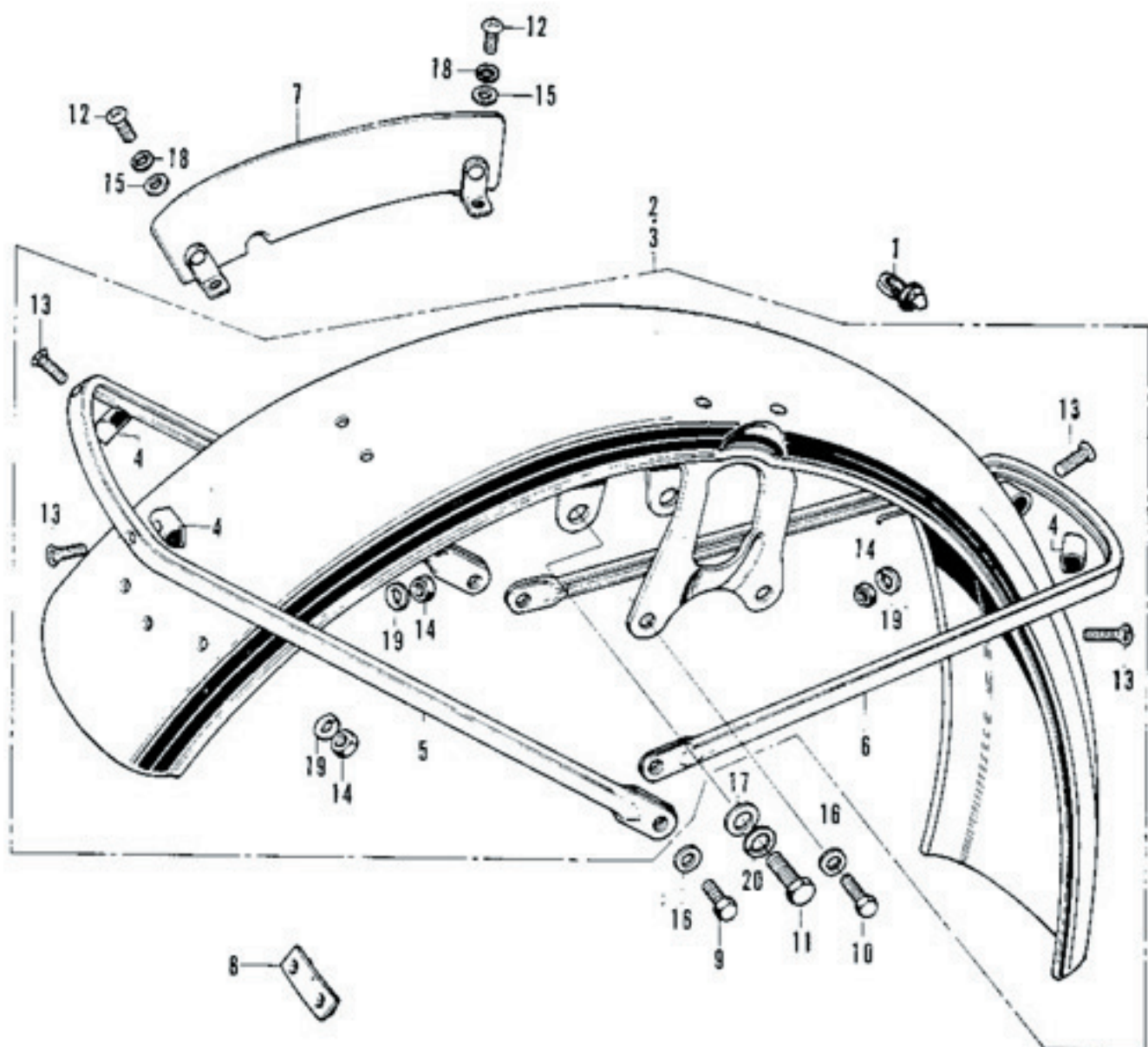
# F-9 Steering Stem



## F-9 Steering Stem

Ref. No.	Part No.	Description	Reqd. No.			F.R.T.	Remarks
			61	63	64		
16	90304-300-000	NUT, steering stem .....	1	1	-	0.1	
○	90304-323-670	NUT, steering stem .....	-	-	1		
17	90603-283-000	WASHER, steering stem .....	1	1	1	0.1	
18	92000-10040-0A	BOLT, hex., 10×40 .....	2	2	2		
19	93500-03008-0A	SCREW, pan, 3×8..... (Not used in Germany, Netherlands & E.D.)	1	1	1		
20	94101-03000	WASHER, plain, 3 mm..... (Not used in Germany, Netherlands & E.D.)	1	1	1		
21	94102-10000	WASHER, plain, 10 mm .....	2	2	2		
22	96211-08000	BALL, steel, RB8 (¼").....	37	37	37		

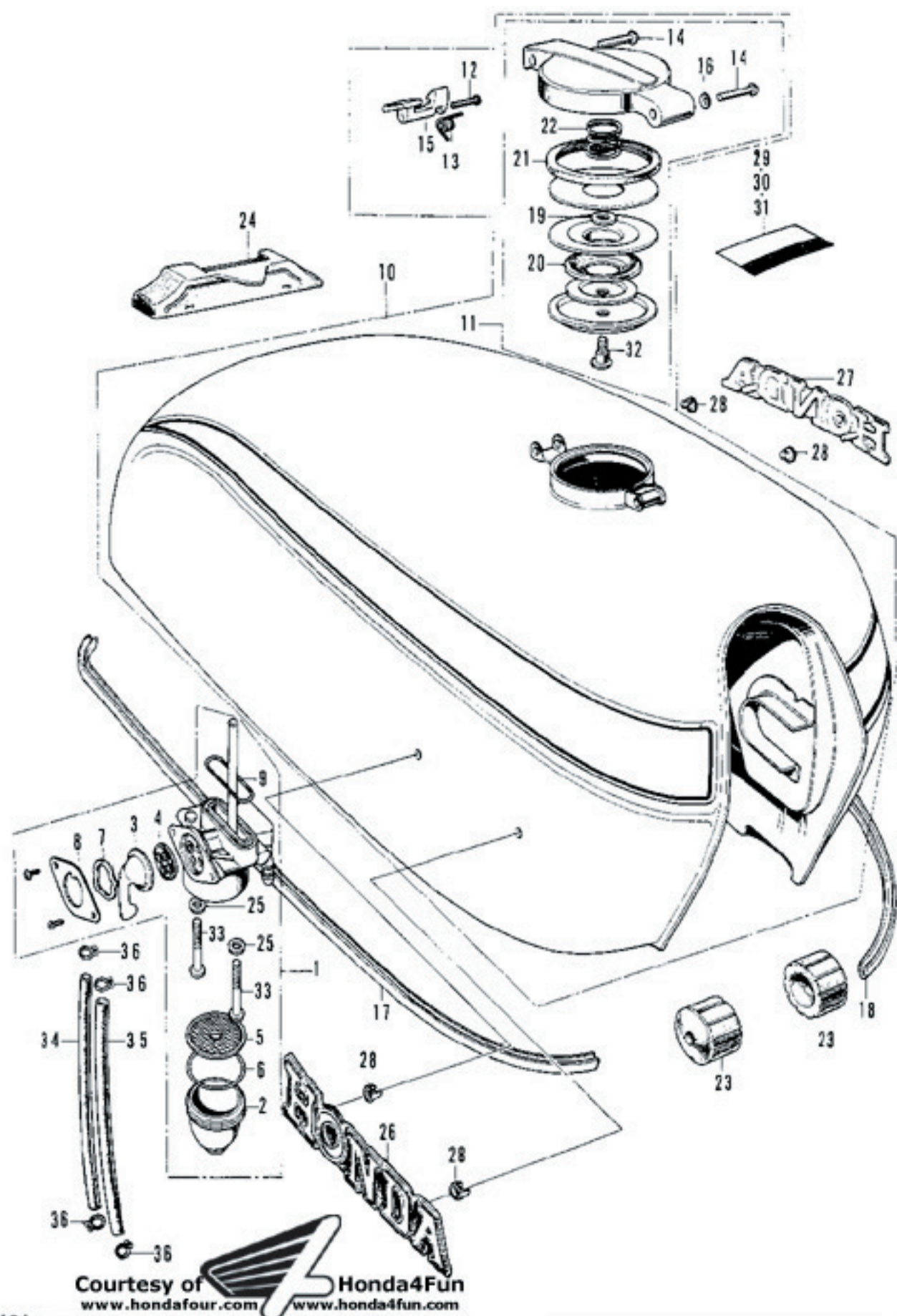
# F-10 Front Fender



## F-10 Front Fender

Ref. No.	Part No.	Description	Reqd. No.			F.R.T.	Remarks
			CB 750	CB 750K1	CB 750K2		
1	45451-283-000	GROMMET, cable .....	1	1	1	0.1	CB750-1015593~
2	61100-300-030XW (Superseded by 61100-300-040XW with 45451-283-000)	.....	1	-	-	0.8	~1015592
	61100-300-040XW FENDER COMP., front (Chrome) (Not used in England)	.....	1	1	1		CB750-1015593~
3	61100-300-600XW FENDER COMP., front (Chrome) (Used in England)	.....	1	1	1		CB750-1010369~
4	61102-300-000	PIECE, fender setting .....	4	4	4	0.1	
5	61106-300-000	STAY A, front fender .....	1	1	1	0.1	
6	61107-300-000	STAY B, front fender .....	1	1	1	0.1	
7	61131-283-600B	PLATE, front number (Used in England) ...	1	1	1	0.1	CB750-1010369~
○ 8	61132-300-600	WASHER, number plate (Used in England)	2	2	2	0.1	CB750-1010369~
9	92000-06016	BOLT, hex., 6×16 .....	4	4	4		
10	92000-06025	BOLT, hex., 6×25 .....	2	2	2		
11	92000-08025-0A	BOLT, hex., 8×25 .....	2	2	2		
12	93500-04012-0B	SCREW, pan, 4×12 (Used in England) .....	4	4	4		
13	93700-05025-0B	SCREW, oval, 5×25 .....	4	4	4		
14	94001-05020-0S	NUT, hex., 5 mm .....	4	4	4		
15	94101-04000	WASHER, plain, 4 mm (Used in England)...	4	4	4		
16	94101-06000	WASHER, plain, 6 mm .....	6	6	6		
17	94101-08000	WASHER, plain, 8 mm .....	2	2	2		
18	94111-04000	WASHER, spring, 4 mm (Used in England)	4	4	4		
19	94111-05000	WASHER, spring, 5 mm .....	4	4	4		
20	94111-08000	WASHER, spring, 8 mm .....	2	2	2		

F-11 Fuel Tank · Cock



Courtesy of  Honda4Fun  
[www.honda4fun.com](http://www.honda4fun.com)



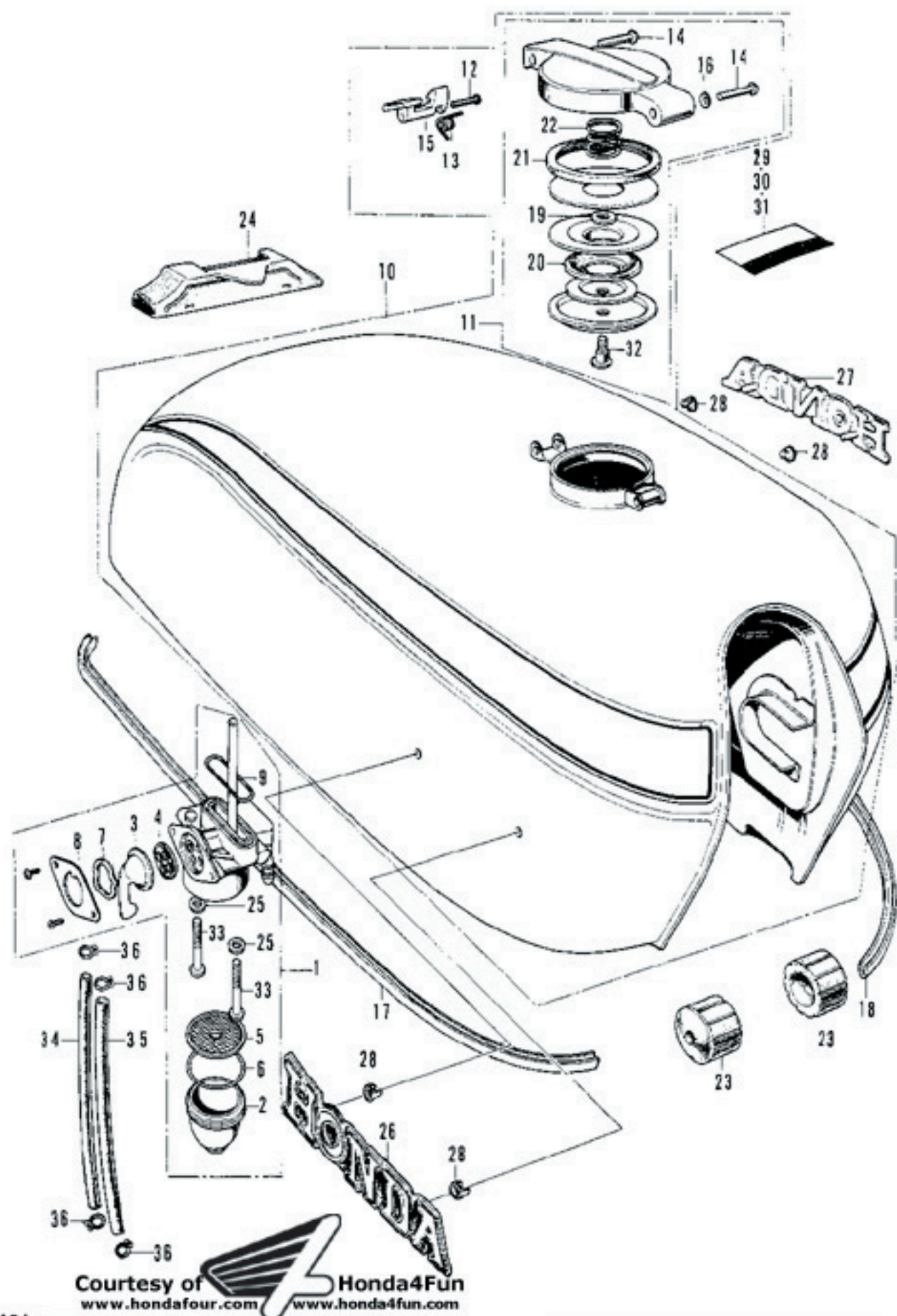
## F-11 Fuel Tank - Cock

Ref. No.	Part No.	Description	Reqd. No.			F.R.T.	Remarks
			CB	ES	CF		
1	16950-300-020	COCK ASSY., fuel .....	1	1	1	0.2	
2	16952-268-000	CUP, fuel strainer .....	1	1	1	0.1	
3	16953-268-020	LEVER, fuel cock .....	1	1	1	0.1	
4	16955-268-020	PACKING, fuel cock valve.....	1	1	1	0.1	
5	16957-268-010	SCREEN, fuel strainer .....	1	1	1	0.1	
6	16958-268-010	PACKING, fuel strainer .....	1	1	1	0.1	
7	16960-268-010	SPRING, cock lever .....	1	1	1	0.1	
8	16961-268-010	PLATE, fuel cock lever setting.....	1	1	1	0.1	
9	16997-273-006	O-RING, 23 φ .....	1	1	1	0.2	
10	17500-300-020AZ (Superseded by 17500-300-030AZ)						
	17500-300-020CM (Superseded by 17500-300-030CM)						
	17500-300-030AZ (Superseded by 17500-300-040AZ).....	1	1	-	0.6		~1055209
	17500-300-030CM (Superseded by 17500-300-040CM) .....	1	1	-			~1055209
	17500-300-030CQ (Superseded by 17500-300-040CQ) .....	1	1	-			CB750-1019210~1055209
	17500-300-030EE (Superseded by 17500-300-040EE).....	-	1	-			CB750-1044650~1055209*
	17500-300-030EF (Superseded by 17500-300-040EF).....	-	1	-			CB750-1044650~1055209*
	17500-300-030EG (Superseded by 17500-300-040EG).....	-	1	-			CB750-1044650~1055209*
	17500-300-040AZ TANK COMP., fuel (Candy blue green) ...	-	1	-			CB750-1055210~
	17500-300-040CM TANK COMP., fuel (Candy ruby red) .....	-	1	-			CB750-1055210~
	17500-300-040CQ TANK COMP., fuel (Candy gold) .....	-	1	-			CB750-1055210~
	17500-300-040EE TANK COMP., fuel (Candy garnet brown)...	-	1	-			CB750-1055210~
	17500-300-040EF TANK COMP., fuel (Valley green metallic)	-	1	-			CB750-1055210~
	17500-300-040EG TANK COMP., fuel (Polynesian blue metallic)	-	1	-			CB750-1055210~
○	17500-341-670CM TANK COMP., fuel (Candy ruby red) .....	-	-	1			
○	17500-341-670LU TANK COMP., fuel .....	-	-	1			
	(Brier brown metallic custom)						
○	17500-341-670LV TANK COMP., fuel (Flake sunrise orange)	-	-	1			
○	17500-341-670LX TANK COMP., fuel (Candy gold custom)...	-	-	1			
○	17500-341-670MV TANK COMP., fuel .....	-	-	1			
	(Planet blue metallic custom)						


  
 Courtesy of **Honda4Fun**
  
[www.honda4fun.com](http://www.honda4fun.com)

\* CB750-1053399 and subsequent are available for the other markets except for U.S.A.

F-11 Fuel Tank · Cock



Courtesy of  Honda4Fun  
[www.honda4fun.com](http://www.honda4fun.com)