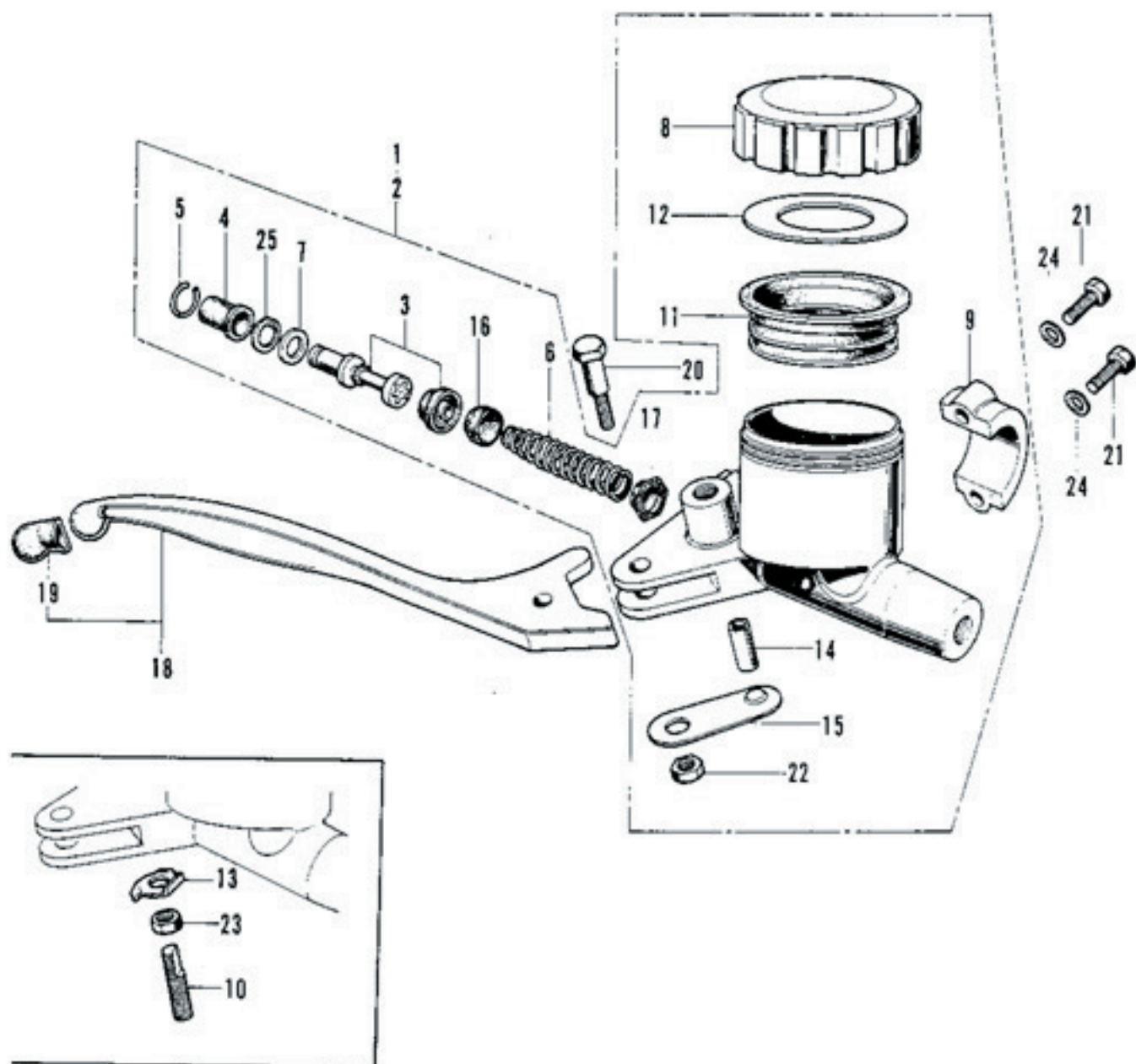


F-3 Handle · Top Bridge

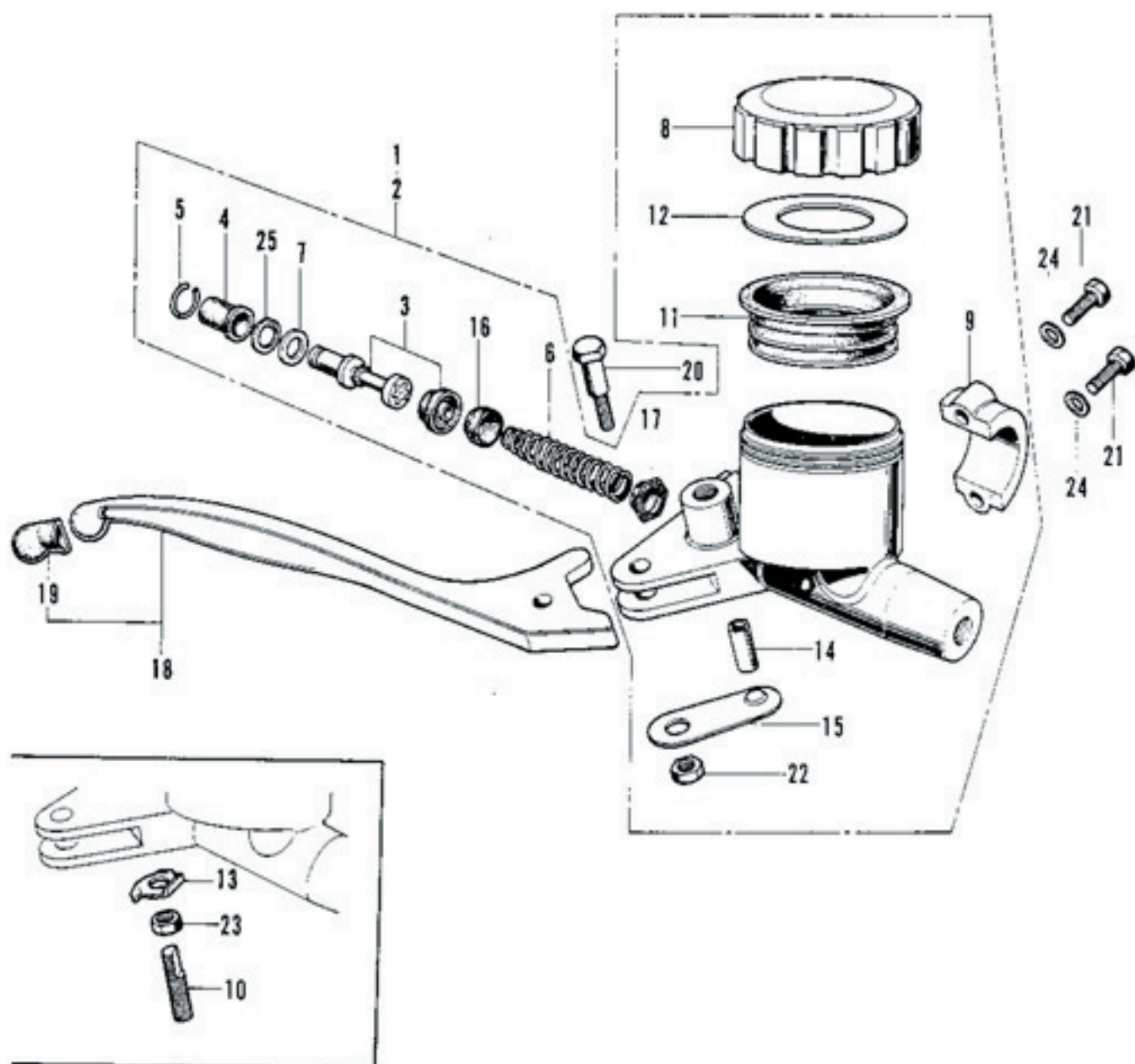
Ref. No.	Part No.	Description	Reqd. No.			F.R.T.	Remarks
			CB 750	CB 750K1	CB 750K2		
○ 1	34902-259-000	BULB, dash (12V 3W)	-	-	4	0.2	
○ 2	37576-323-000	BASE, lamp socket	-	-	1	0.2	
○ 3	37577-341-000	SOCKET, pilot lamp	-	-	1	0.2	
○ 4	37579-341-010	SPRING, lamp socket set	-	-	1	0.2	
○ 5	37581-323-000	CORD COMP., pilot lamp	-	-	1	0.3	
6	53100-300-000	PIPE, steering handle	1	1	-	0.9	
○	53100-341-000	PIPE, steering handle	-	-	1		
○ 7	53100-300-610	PIPE, steering handle	-	1	1	0.9	CB750-1053409~
		(Used in England, Germany, France, Netherlands & E.D.)					
8	53131-300-000	HOLDER, handle pipe upper	2	2	-	0.1	
○ 8-1	53133-323-000	HOLDER, upper	-	-	1	0.2	
9	53230-300-010	BRIDGE, fork top	1	-	-	0.5	~1003433
	53230-300-020	(Changing to 53230-300-673)					
	53230-300-673	BRIDGE, fork top	1	1	1	0.5	CB750-1003434~
10	53235-300-000	WASHER, spacer	2	2	2	0.1	
11	90555-283-000	WASHER, special, 8 mm	10	10	10	0.1	
12	92000-08056-0B	BOLT, hex., 8×56	2	2	2		
13	92000-08074-0B	BOLT, hex., 8×74	1	1	1		
14	93000-08040-0B	BOLT, hex., 8×40	4	4	-		
○	93100-08040-0B	BOLT, hex., 8×40	-	-	4		
15	94001-08020-0S	NUT, hex., 8 mm	3	3	3		

F-4 Brake Master Cylinder



F-4 Brake Master Cylinder

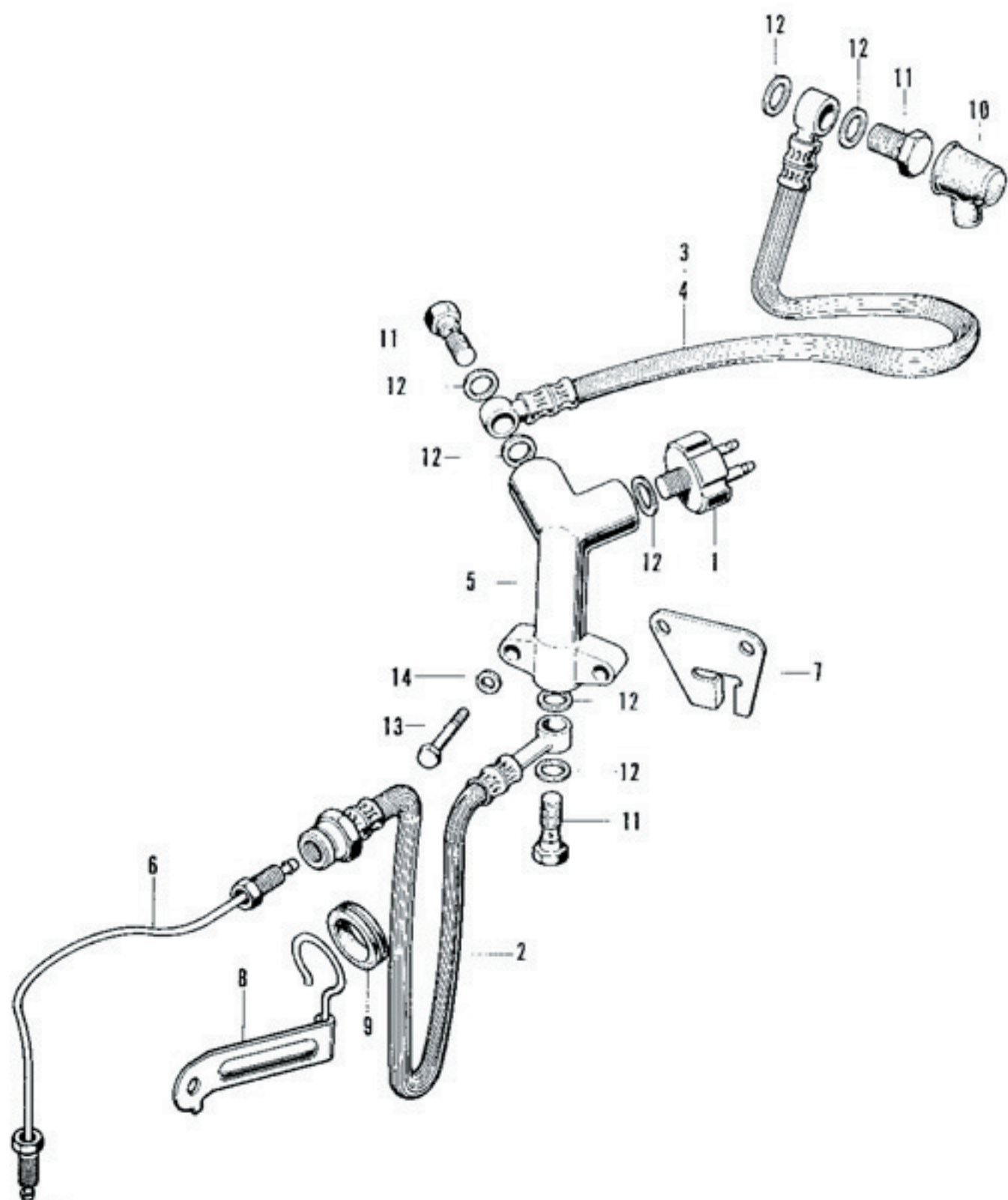
Re S No.	Part No.	Description	Reqd. No.			F.R.T.	Remarks
			68	68	68		
1	45500-300-030	(Superseded by 45500-300-040)	1	-	-	0.1	~1044649
	45500-300-040	CYLINDER ASSY., master (Not used in France)	-	1	-		CB750-1044650~1071335
	45500-300-050	(Make use of 45500-341-671)	-	1	-		CB750-1071336~
○	45500-341-671	CYLINDER ASSY., master (Not used in France & E.D.)	-	-	1		
2	45500-300-620	(Superseded by 45500-300-621)					
	45500-300-621	(Superseded by 45500-300-622)	1	-	-	0.1	CB750-1003480~1044649
	45500-300-622	CYLINDER ASSY., master (Used in France)	-	1	-		CB750-1044650~1071335
	45500-300-623	(Make use of 45500-341-620)	-	1	-		CB750-1071336~
○	45500-341-620	CYLINDER ASSY., master (Used in France & E.D.)	-	-	1		
3	45502-300-305	PISTON-SET	1	1	1	0.3	
4	45504-300-003	BOOTS	1	1	1	0.6	
5	45505-300-003	STOPPER, boots	1	1	1	0.6	
6	45506-300-003	SPRING COMP.....	1	1	1	0.6	
7	45512-300-003	WASHER, 10.5 φ	1	1	1	0.6	
8	45513-300-020	(Make use of 45513-341-671)	1	1	-	0.1	
○	45513-341-671	CAP, oil cup	-	-	1		
9	45517-300-003	HOLDER, master cylinder	1	1	1	0.1	
10	45518-300-003	BOLT, lever adjusting	1	-	-	0.1	~1044649



F-4 Brake Master Cylinder

Ref. No.	Part No.	Description	Reqd. No.			F.R.T.	Remarks
			01	02	03		
11	45520-300-000	DIAPHRAGM	1	1	1	0.1	
12	45521-300-000	(Superseded by 45521-300-010)					
	45521-300-010	PLATE, diaphragm	1	1	1	0.1	
13	45525-300-000	WASHER, master cylinder	1	-	-	0.1	CB750-1027687~1044649
14	45526-300-000	BUSH, right handle lever	-	1	-	0.1	CB750-1044650~
○	45526-341-000	BUSH, right handle lever	-	-	1		
15	45527-300-000	PLATE, lever bush setting	-	1	1	0.1	CB750-1044650~
16	46125-533-003	CUP, primary	1	1	1	0.6	
17	46140-533-003	VALVE COMP., check.....	1	1	1	0.6	
18	53170-300-000	LEVER ASSY., handle.....	1	1	1	0.1	
19	53180-286-000	CAP, control lever.....	1	1	1	0.1	
20	90114-300-000	BOLT, handle lever pivot	1	1	1	0.1	
21	92000-06025-02	BOLT, hex, 6×25	2	2	2		
22	94002-06000	NUT, hex., 6 mm	1	1	1		
23	94002-08000-0S	NUT, hex., 8 mm	1	-	-		~1044649
24	94101-06000	WASHER, plain, 6 mm.....	2	2	2		
25	94520-18000	CIR-CLIP, internal, 18 mm	1	1	1		

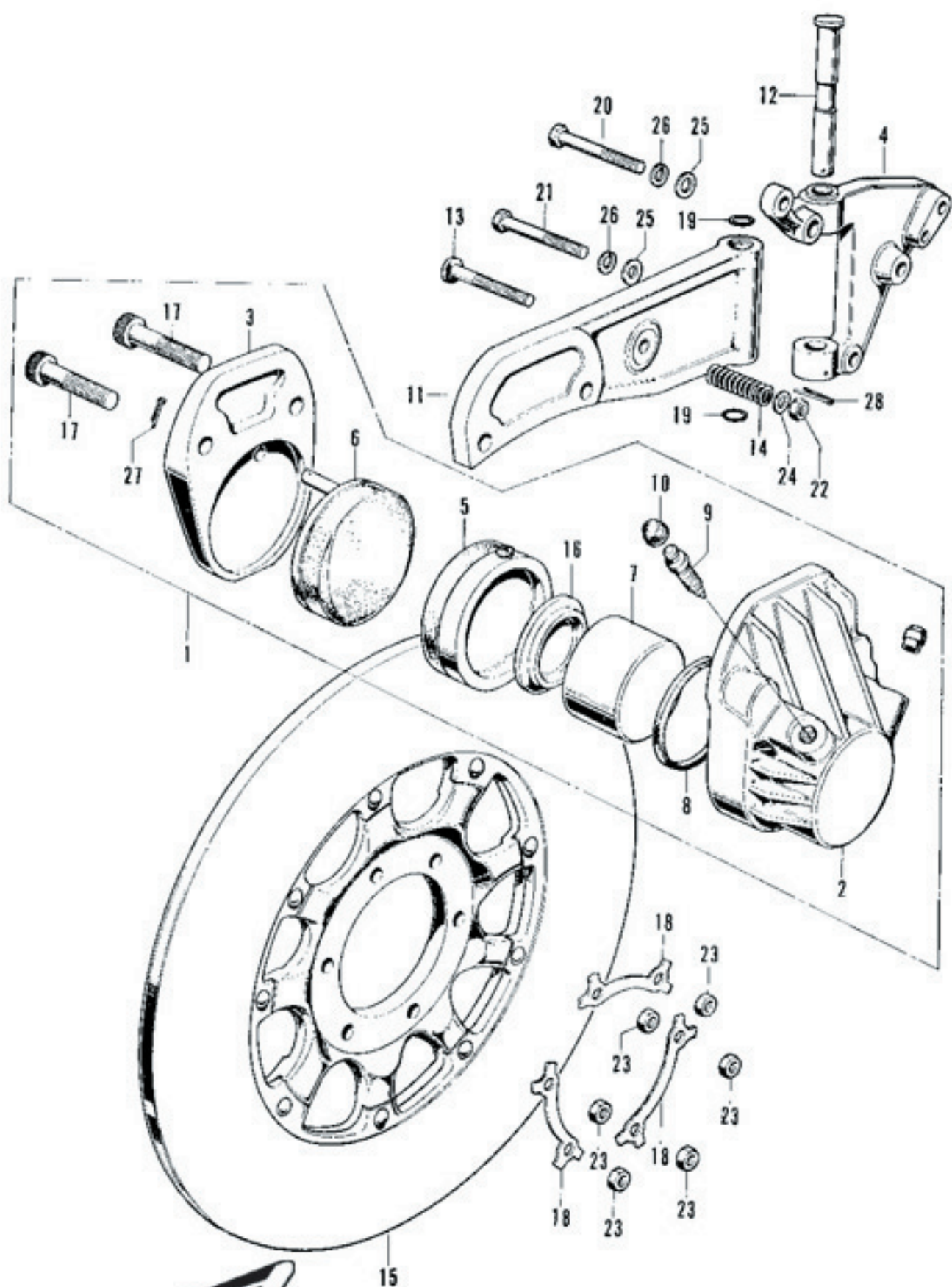
F-5 Front Brake Hose



F-3 Front Brake Hose

Ref. No.	Part No.	Description	Reqd. No.			F.R.T.	Remarks
			08 750	09 750K1	01 750K2		
1	35350-300-006	SWITCH ASSY., stop	1	1	-	0.1	CB750- ~
	35350-300-016	SWITCH ASSY., stop	-	1	1		
2	45125-300-010	HOSE A, front brake	1	1	-	0.1	CB750- ~1071335
	45125-300-020	HOSE A, front brake	-	1	1		CB750-1071336~
3	45126-300-020	(Superseded by 45126-300-030)	1	1	-	0.1	CB750- ~1071335
	45126-300-030	HOSE B, front brake	-	1	1		CB750-1071336~
O	45126-341-000	HOSE B, front brake	-	-	1		
4	45126-300-610	HOSE B, front brake	-	1	-	0.1	CB750-1053409~1071335
		(Used in England, Germany, France & Netherlands)					
	45126-300-611	HOSE B, front brake	-	1	1		CB750-1071336~
		(Used in England, Germany, France, Netherlands & E.D.)					
5	45127-300-020	JOINT, three way	1	1	1	0.2	
6	45128-300-010	PIPE B, front brake	1	1	1	0.1	
7	45129-300-000	GUIDE, front brake hose	1	1	1	0.1	CB750-1003951~
8	45145-300-020	CLIP, brake hose	1	1	1	0.1	
9	45146-300-000	GROMMET, brake hose	1	1	1	0.1	
10	45522-300-010	BOOT, master cylinder	1	1	1	0.1	CB750-1002721~
11	90145-300-000	BOLT, oil	3	3	3	0.1	
12	90545-300-000	WASHER, oil bolt	7	7	7	0.1	
13	92000-06028	BOLT, hex., 6x28	4	4	4		
14	94111-06000	WASHER, spring, 6 mm	4	4	4		

F-6 Front Brake Caliper · Disk



F-6 Front Brake Caliper - Disk

Ref. No.	Part No.	Description	Reqd. No.			F.R.T.	Remarks
			CB 750	CB 750K1	CB 750K2		
1	45100-300-023	CALIPER ASSY. (TOKIKO).....	1	-	-	0.4	~1044649
	45100-300-023B	CALIPER ASSY. (TOKIKO).....	-	1	-		CB750-1044650~ *
○	45100-341-003	CALIPER ASSY. (TOKIKO).....	-	-	1		
2	45101-300-033	(Superseded by 45101-300-043)	1	-	-	0.5	~1044649
	45101-300-043	CALIPER A (TOKIKO)	-	1	-		CB750-1044650~1071335*
	45101-300-053	CALIPER A (TOKIKO)	-	1	1		CB750-1071336~
3	45102-300-033	(Superseded by 45102-300-043)	1	-	-	0.5	~1044649
	45102-300-043	CALIPER B (TOKIKO)	-	1	1		CB750-1044650~
4	45104-300-040	JOINT, caliper holder	1	1	1	0.5	
5	45105-300-040	PAD A	1	1	-	0.5	
○	45105-341-000	PAD A	-	-	1		
6	45106-300-040	PAD B	1	1	-	0.5	
○	45106-341-000	PAD B	-	-	1		
7	45107-300-003	PISTON (TOKIKO)	1	1	1	0.5	
8	45108-300-003	SEAL, piston (TOKIKO).....	1	1	1	0.5	
9	45109-300-003	BLEEDER (TOKIKO)	1	1	1	0.2	
10	45110-300-003	CAP, bleeder screw (TOKIKO)	1	1	1	0.1	
11	45115-300-030	HOLDER, caliper	1	1	1	0.7	
12	45116-300-030	PIN, caliper holder	1	1	1	0.5	
13	45117-300-020	BOLT, caliper adjusting	1	1	1	0.1	
14	45119-300-020	SPRING, caliper adjusting	1	1	1	0.1	
15	45120-300-040	DISK COMP., front brake	1	1	-	0.5	
○	45120-341-000	DISK COMP., front brake	-	-	1		



 Courtesy of **Honda4Fun**

www.hondafour.com
www.honda4fun.com

* CB750-1053399 and subsequent are available for the other markets except for U.S.A.

F-6 Front Brake Caliper · Disk

