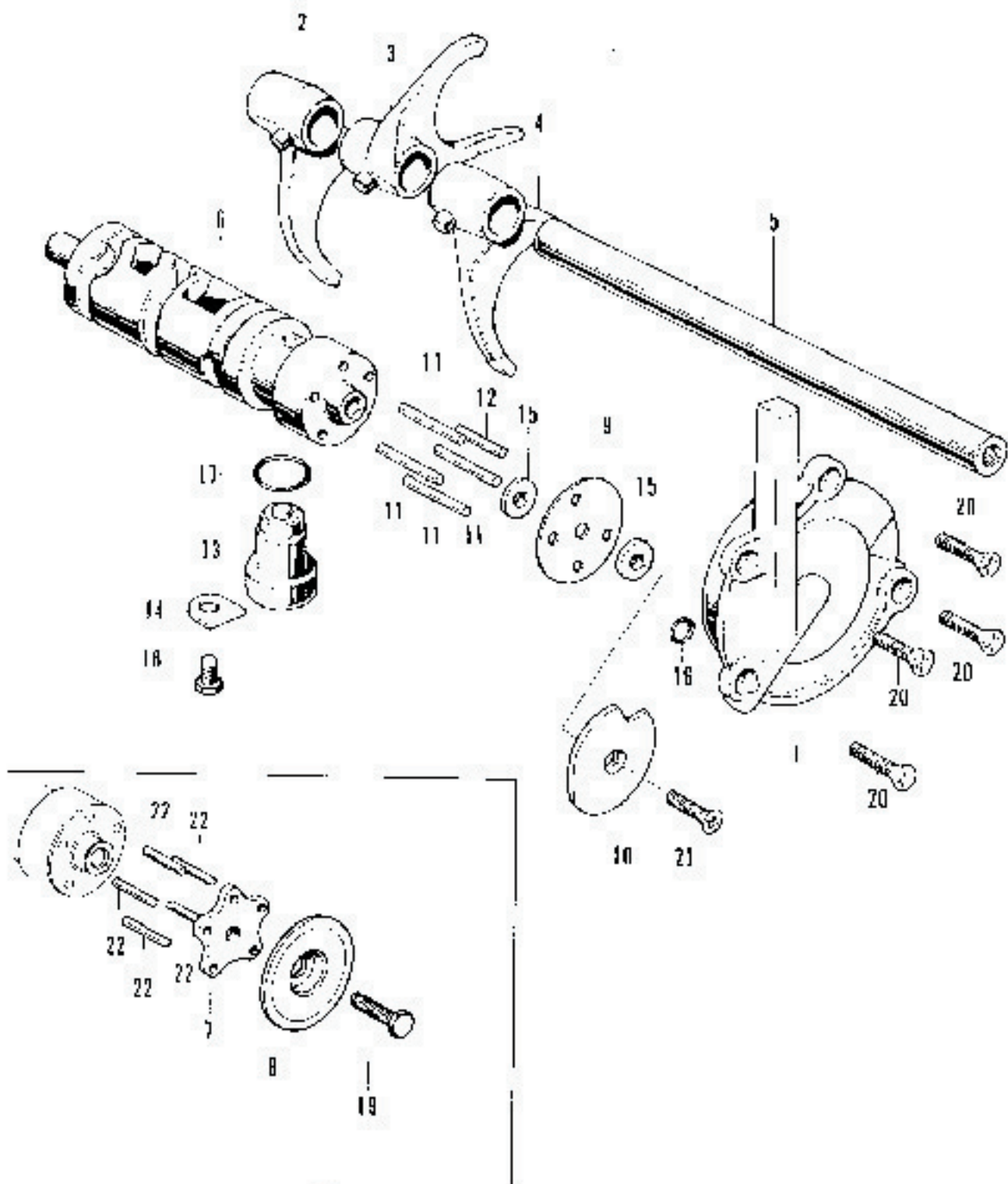


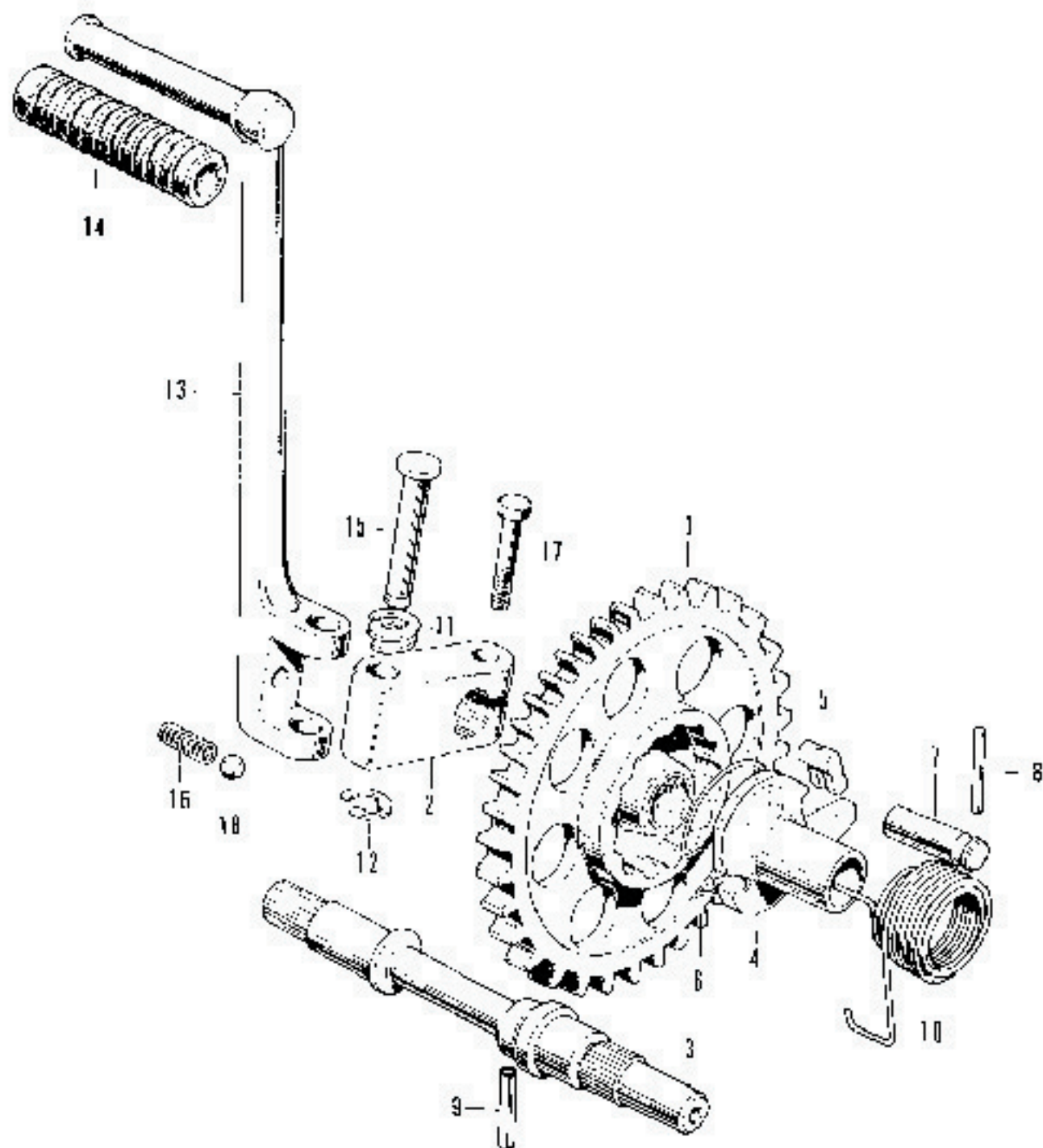
E-18 Transmission

Ref. No	Part No.	Description	Reqd. No. CB750	F.R.I.	Remarks
1	13495-300-000	SET RINGS A, ball bearing.....	2	4.9*	
2	23210-300-000	SHAFT COMP., main transmission (16T)...	1	4.9*	
3	23220-300-010	SHAFT, counter transmission	1	4.9*	
4	23421-300-050	GEAR, low, counter shaft (45T)	1	4.9*	
5	23425-300-010	BUSH, 22φ×14	1	4.9*	
6	23434-300-010	GEAR, second & third, main shaft	1	4.9*	(24T & 27T)
7	23440-300-010	GEAR COMP., second, counter shaft (41T)	1	4.9*	
8	23450-300-050	GEAR COMP., fourth, main shaft (31T) ...	1	4.9*	
9	23460-300-010	GEAR COMP., third, counter shaft (35T) ...	1	4.9*	
10	23471-300-010	GEAR, fourth, counter shaft (34T)	1	4.9*	
11	23481-300-020	GEAR, top, main shaft (33T)	1	4.9*	
12	23485-300-020	BUSH, 22φ×15	1	4.9*	
13	23491-300-010	GEAR, top, counter shaft (31T).....	1	4.9*	
14	23501-300-020	(Superseded by 23502-300-030)			
	23501-300-030	GEAR, first drive (48T)	1	4.9*	
15	90451-300-000	WASHER, thrust, 25 mm	4	4.9*	
16	90452-300-000	WASHER, thrust, 25×30.....	1	4.9*	
17	90458-392-000	WASHER, thrust, 20 mm	1	4.9*	
18	90458-500-810	WASHER, thrust, 22 #40.....	1	4.9*	
19	90601-300-000	CIR-CLIP, 25 mm	5	4.9*	
20	90803-300-500	PLUG, special, 10×10	1		
21	91001-235-000	BEARING, radial ball, N-6204	1	4.9*	
22	91002-300-000	BEARING, special ball, 6305 (N.C.N.).....	1	4.9*	
23	91003-235-000	BEARING, radial ball, 6304LS	1	4.9*	
24	96100-92945	BEARING, ball, 6204	1	4.9*	



E-19 Gear Shift Fork - Drum

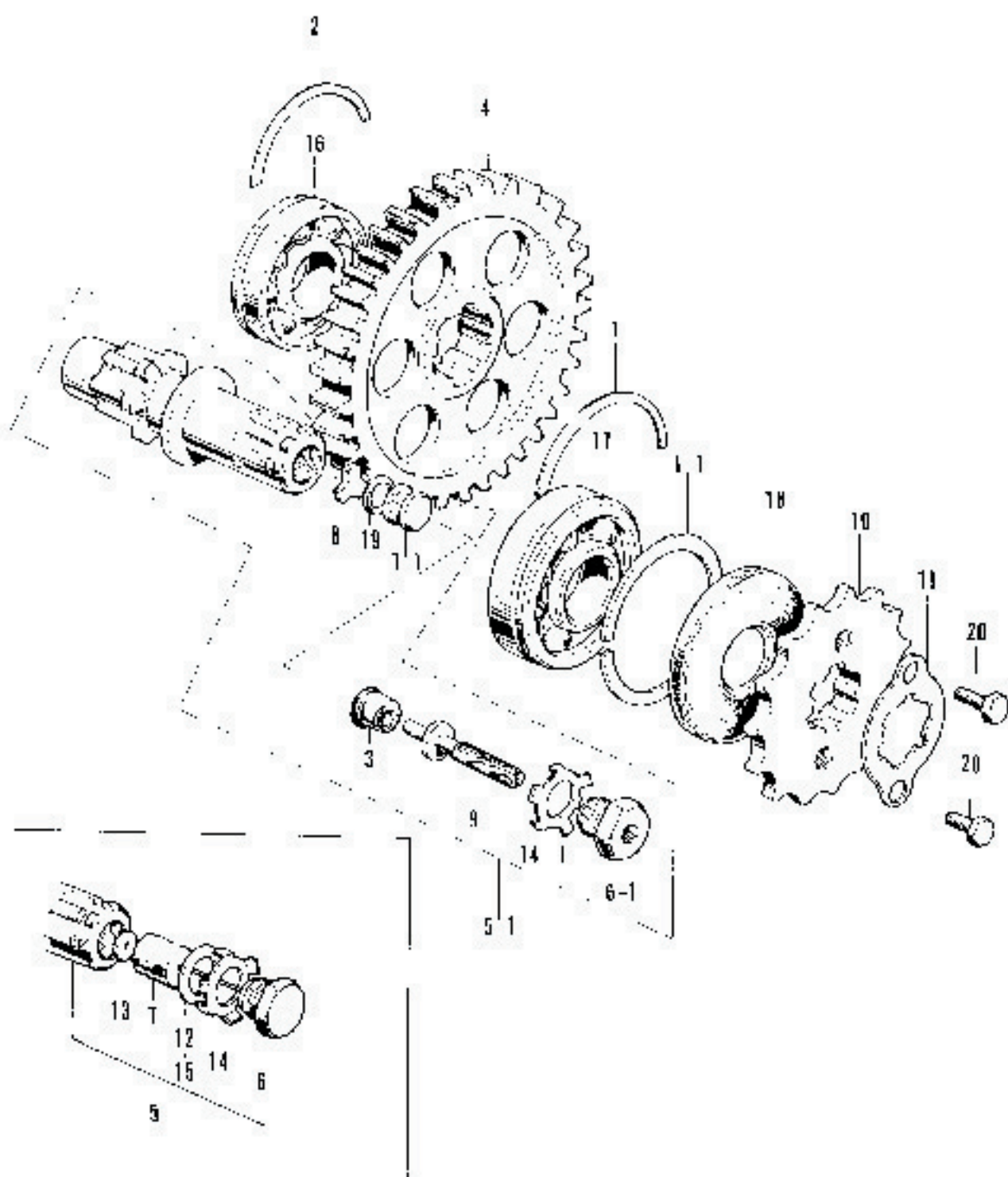
Ref. No.	Part No.	Description	Lead. No. CR750	F.R.T.	Remarks
1	23150-300-019	HOLDER COMP., output shaft bearing ...	1	0.9	
2	24211-300-020	FORK, right gear shift.....	1	4.9#	
3	24212-300-020	FORK, center gear shift.....	1	4.9#	
4	24213-300-020	FORK, left gear shift	1	4.0#	
5	24251-300-039	SHAFT, gear shift lock	1	4.0#	
6	24301-300-039	DRUM, gear shift.....	1	4.9#	
7	24321-300-039	PLATE, drum stopper	1	0.9	~1026143
8	24326-300-010	PLATE, gear shift side.....	1	0.9	~1026143
9	24328-300-039	PLATE, spacer	1		CR750E-1026144~
10	24441-300-010	PLATE, neutral stopper.....	1		CR750E-1026144~1044967
	24441-300-010	PLATE, neutral stopper.....	1		CR750E-1044968~
11	24445-300-010	ROLLER, 4x25.8	4	0.9	CR750E-1026144~
12	24446-300-010	ROLLER, 4x20.1.....	1	0.9	CR750E-1026144~
13	35752-300-010	SWITCH ASSY., neutral.....	1	0.1	
14	35754-300-020	STOPPER, neutral switch.....	1	0.1	
15	90406-300-000	WASHER, 20 mm.....	2		CR750E-1026144~
16	91301-333-020	O-RING, 3x3.4.....	1	0.9	
17	91311-044-000	O-RING, 16x3.....	1	0.1	
18	9304-06016	BOLT, hex., 6x16.....	1		
19	9306-06020	BOLT, hex., 6x20.....	1		~1026143
20	95901-06020	SCREW, flat, 6x20.....	4		
21	90200-00025	SCREW, 4x1, 5x25.....	1		CR750E 1026143~
22	06200-10108	ROLLER, 4x19.8.....	5		~1026143



E-20 Kick Starter - Spindle

Ref. No.	Part No.	Description	Req. No. CB750	E.P.T.	Remarks
1	28210-300-000	GEAR COMP, kick starter (6ST).....	1	4.9*	
2	28241-300-010	JOINT, kick starter	1	0.2	
3	28250-300-020	SPINDLE, kick starter	1	4.5*	
4	28251-300-030	FLANGE, kick starter	1	4.6*	
5	28252-300-010	PAWLS, kick starter	1	4.5*	
6	28253-300-000	SPRING, kick starter ratchet	1	4.5*	
7	28254-300-000	PIN, kick starter	1	4.9*	
8	28255-300-000	PIN, 40 x 37	1	4.9*	
9	28256-300-000	PIN, kick spindle stopper, 30 x 10.....	1	0.2*	
10	28261-300-010	SPRING, kick starter return	1	4.9*	
11	28292-250-010	SPRING, kick starter knuckle	1	0.2	
12	28293-250-000	CLIP, kick starter knuckle pin	1	0.2	
13	28300-300-000	ARM, kick starter	1	0.2	
14	28311-250-000	SHIMMER, kick starter	1	0.1	
15	28321-300-000	PIN, kick starter knuckle.....	1	0.2	
16	28333-300-000	SPRING, kick starter stopper	1	0.2	
17	92000-08028-00	BOLT, hex., 8 x 39	1		
18	26211-08000	NUT, steel, R34 (1/4").....	1		

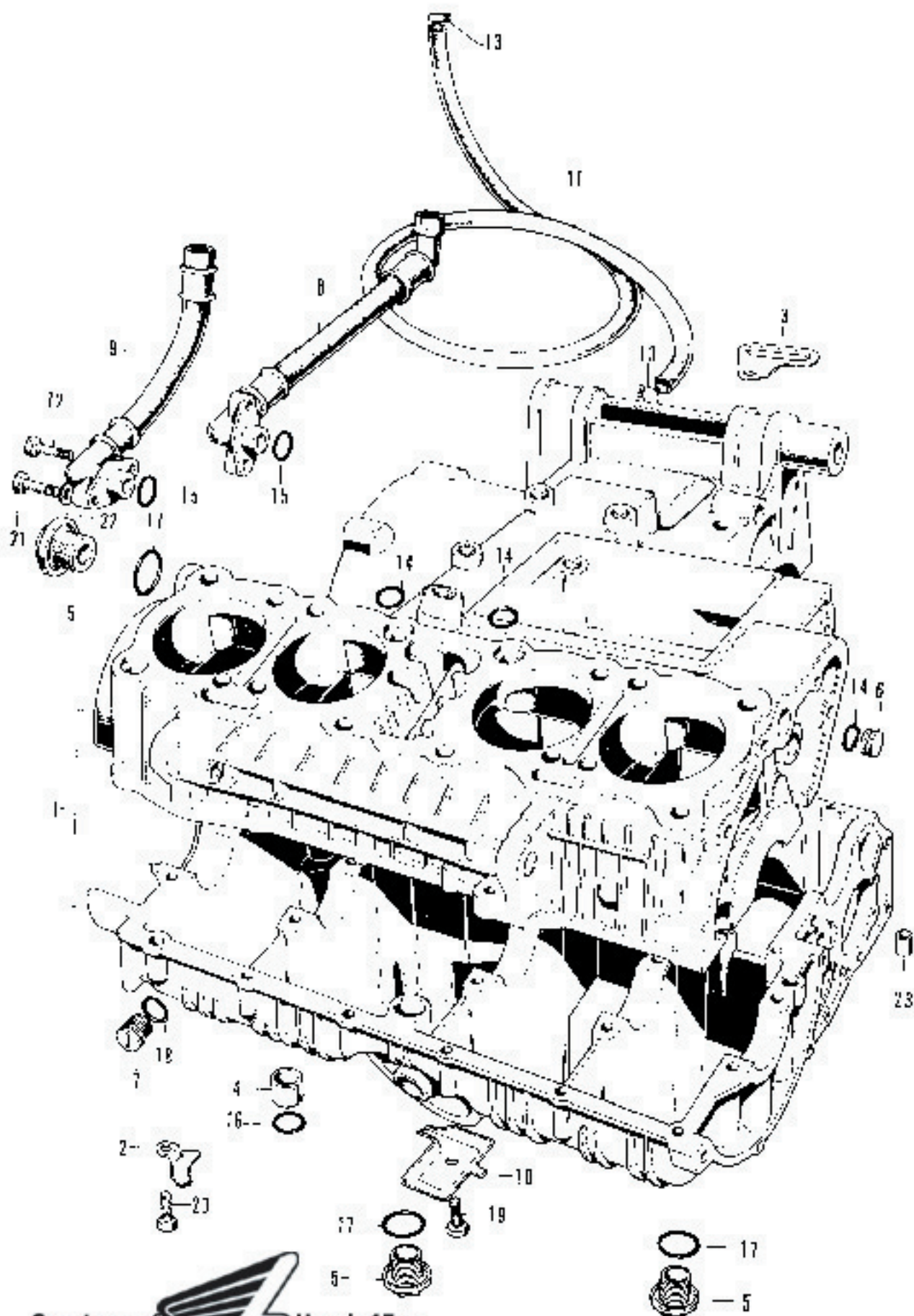
E-21 Final Driven Shaft • Drive Sprocket



E-21 Final Driven Shaft · Drive Sprocket

Ref. No.	Part No.	Description	Reqd. No. CB750	F.I.T.	Remarks
1	23491-256-000	SEAL-RING, bearing, 62 mm	1	4.9*	~1044805
1-1	23491-304-000	SEAL-RING, 97.5 mm	1	4.9*	CB750E-1044806~
2	23495-304-000	SEAL-RING A, ball bearing	1	4.9*	~1033000
3	23514-319-300	ROLLER, oil seal	1	0.5	CB750E-1026144~
4	23511-300-020	GEAR, final driven (96T)	1	4.9*	
5	23520-300-000	(Superseded by 23520-300-305)			
	23520-300-305	SHAFT COMP., final driven	1	4.9*	~1003327
	23520-300-010	(Superseded by 23520-300-040)	1		CB750E-1003328~1033143
5-1	23520-300-020	SHAFT COMP., final cover	1		CB750E-1033144~
6	23525-300-300	PLUG, final shaft	1	0.5	~1026143
6-1	23525-300-310	PLUG, final shaft	1		CB750E-1026144~
7	23524-300-300	ELEMENT, oil reserve	1	0.5	~1026143
7-1	23524-300-310	ELEMENT, oil reserve	1		CB750E-1026144~
8	23526-300-000	PLATE, cropper	1	0.5	CB750E-1033224~
9	23528-300-300	SCREW, adjusting	1	0.5	CB750E-1033144~
10	23601-300-305	(Superseded by 23601-300-310)	1		~1003327
○	23601-300-315	SPROCKET, drive (17T)			
	23601-300-000	(Superseded by 23601-300-010)	1		CB750E-1003328~1044805
○	23601-300-010	SPROCKET, drive (17T)			
	23601-300-020	SPROCKET, drive (18T)	1		CB750E-1044806~
11	23811-252-000	PLATE, drive sprocket fixing	1	0.5	
12	90404-300-010	WASHER, final driven (Options' part)	(J)		
13	90405-300-000	WASHER, belt setting	1	4.0*	~1026143
14	90403-300-000	WASHER, lock, 12 mm	1	4.0*	~1033143
14-1	90403-300-010	WASHER, lock, 14 mm	1	4.9*	CB750E-1026144~
15	90407-300-000	(Superseded by 90407-256-000)			
	90407-256-000	WASHER, seal, 12 mm	1	4.0*	~1026143
16	91002-300-008	BEARING, special ball, 6205 (N.I.N.)	1	4.9*	~1028345
○	91006-300-008	BEARING, ball, special, 6206	1		CB750E-1048346~
17	91008-253-000	BEARING, ball, 6305H3	1		~1044805
○	91007-300-008	BEARING, ball, special, 6305	1		CB750E-1044806~
18	91206-300-006	OIL-SEAL, 25×62×7 (N.O.K.)	1	4.0*	
19	91313-300-003	O-RING, 67.5×30	1		CB750E-1033144~
20	92000-06017	BOLT, hex, 6×15	2		~1003327
	92000-06016	BOLT, hex, 6×16	2		CB750E-1003328~

E-22 Crankcase



E-22 Crankcase

Ref. No.	Part No.	Description	Reqd. Nn. CB750	F.R.L.	Remarks
1	11010-300-070	CRANKCASE ASSY.	1	6.0*	~1000219
	11010-300-080	(Superseded by 11010-300-085)			
	11010-300-095	(Superseded by 11010-300-415)			
	11010-300-415	CRANKCASE ASSY. SET	1	6.0*	CB750E-1000220~1007414
	11010-300-090	(Superseded by 11010-300-005)			
	11010-300-405	CRANKCASE ASSY. SET	1	6.0*	CB750E-1007415~1044805
	11010-300-110	CRANKCASE ASSY.	1	6.0*	CB750E-1044806~
2	11204-300-010	STOPPER, bottom plate	1		CB750E-1007416~
3	11255-300-010	GUTTER, overflow	1	3.9*	CB750E-1066576~
4	15335-300-010	COLLAR, oil path, 18 mm	1	4.9*	
5	15331-300-000	CAP, oil path	1	0.1	~1007414
		(Quantity change)	3		CB750E-1007415~
6	15336-300-010	PLUG, oil path	1	0.5	
7	15337-300-000	PLUG, oil tube	1	0.1	~1000219
	15337-300-010	PLUG, oil tube	1		CB750E-1000220~
8	15510-300-007	HOSE A COMP., oil	1	0.2	
9	15520-300-007	HOSE B COMP., oil	1	0.3	
10	15621-300-000	GUIDE, final shaft oil	1		
11	15761-300-010	TUBE A, breather	1	0.1	~1044805
	15761-300-020	TUBE A, breather	1		CB750E-1044806~
12	90040-300-010	BOLT, spec'd, 6x25	2	0.1	
13	09016-300-000	CLIP, fuel tube, 6.7;	2	0.1	CB750E-1054230~
14	91203-305-000	PACKING, rubber, 16 mm	4	0.1	~1000219
		(Quantity change)	3		CB750E-1000220~
15	91334-028-010	O-RING, 18x3.5	2	0.1	
16	91211-044-000	O-RING, 15x5	1	4.9*	
17	91315-004-000	(Superseded by 94508-40000)			
18	94528-30000	O-RING, 19.1x2.8	1	0.1	~1007414
		(Quantity change)	3		CB750E-1007415~
19	91019-300-000	O-RING, 12x4.5	1		CB750E-1000220~
19	92000-06016	BOLT, hex, 6x16	1		
20	92000-06020	BOLT, hex, 6x20	1		CB750E-1007415~
21	92016-06025	BOLT, hex, 6x25,	3		
22	91001-06000	WASHER, plate, 6 mm	3		
23	94351-10138	PIN, cover, 10x16	2		

E-23 Bolt - Washer (Upper crankcase)

