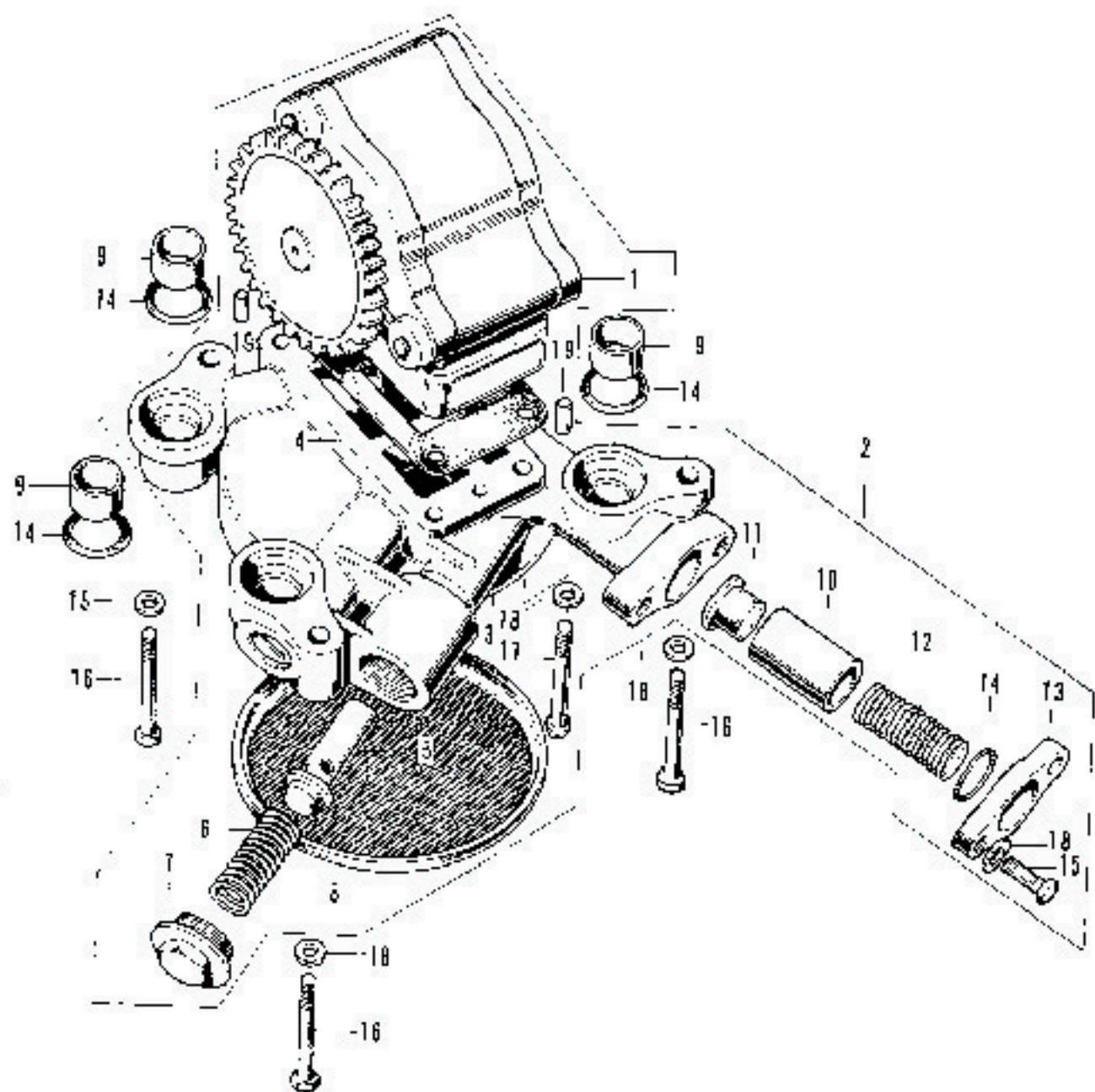


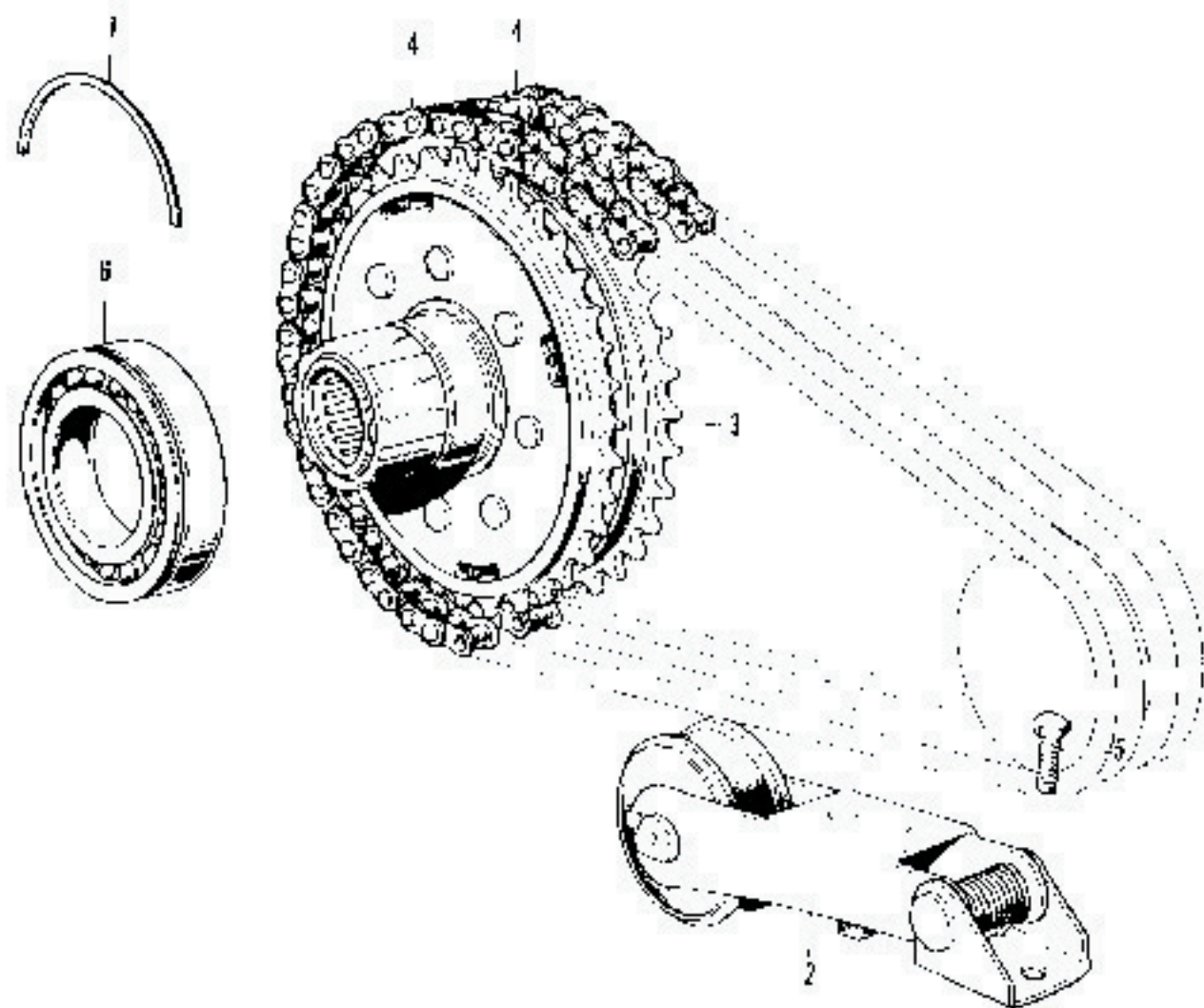
## E-14 Oil Filter • Oil Pan

Ref. No.	Part No.	Description	Reqd. No. CB750	M.R.P.	Remarks
1	11379-300-019	PAN, oil .....	1	2.2*	~1007414
	11219-300-050	PAN, oil .....	1		CB750E-1007415~
2	11398-000-030	BASKET, oil pan .....	1	2.2*	~1007414
	11398-300-040	(Superseded by 11398-300-300)			
	11396-000-309	BASKET, oil pan .....	1		CB750E-1007415~
3	15411-300-010	(Superseded by 15411-900-010)			
	15411-300-010	CASE, oil filter .....	1	0.1	
4	15412-300-024	ELEMENT, oil filter (TOKYO ROKI) .....	1	0.1	
5	15414-300-000	SRAT, oil filter spring .....	1	0.1	
6	15415-300-010	SPRING, filter element setting .....	1	0.1	
7	15420-300-010	(Superseded by 15420-300-020)			
	15420-300-020	BOLT COMP., oil filter cover .....	1	0.1	
8	15473-300-300	VALVE, check .....	1	0.2	
9	15474-300-310	SPRING, check valve .....	1	0.2	
10	15177-300-000	PIN, spring setting .....	1	0.2	
11	32111-300-000	CLAMPBR, cord .....	1	0.2	
12	91304-028-000	O-RING, 15x3.5 .....	1	0.1	
13	91316-300-008	O-RING, 89x45 (AKAI) .....	1	0.1	
	91316-300-065	O-RING, 89x45 (N.O.K.) .....	1		
14	32200-06028	BOLT, hex, 6x28 .....	5		~1064902
	35730-06028	BOLT, flange, 6x28 .....	8		CB750E-1064902~
15	32200-06040	BOLT, hex, 6x40 .....	1		~1064902
	35710-06040	BOLT, flange, 6x40 .....	1		CB750E-1064902~
16	32200-06050	BOLT, hex, 6x50 .....	1		~1064902
	35710-06050	BOLT, flange, 6x50 .....	1		CB750E-1064902~
17	02800-12000	BOLT, drain plug, 12mm .....	1	0.1	
18	91101-06000	WASHER, drain plug, 6mm .....	10		~1064902
19	94109-12000	WASHER, drain plug, 12mm .....	1	0.2	



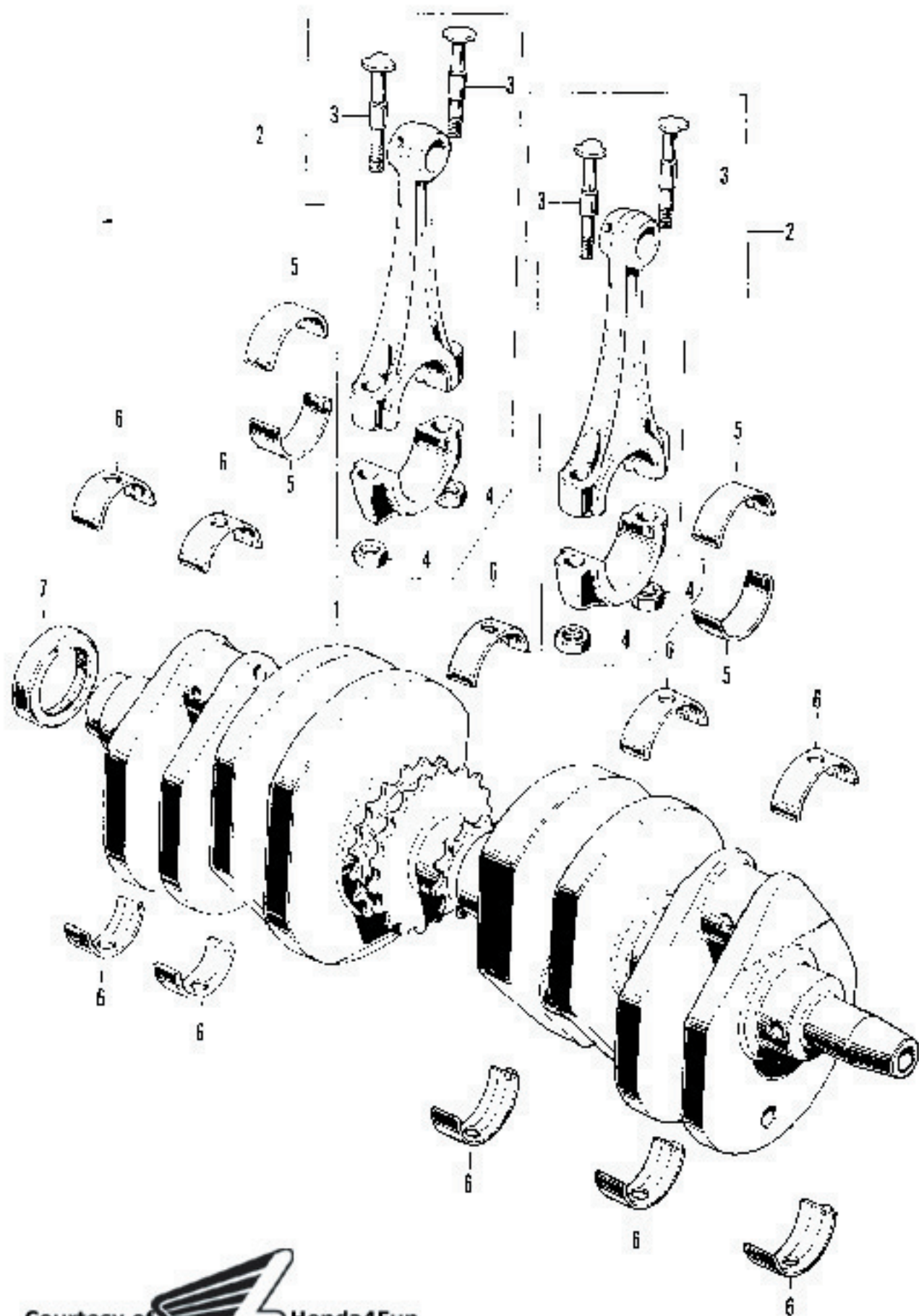
## E-15 Oil Pump

Ref. No.	Part No.	Description	Reqd. No. CR750	F.R.T.	Remarks
1	15100-300-000	BODY ASSY, oil pump	1	2.6*	
2	15100-300-000	PUMP ASSY.	1	2.6*	
3	15105-300-010	BASE COMPL, oil pump	1	2.6*	
4	15135-300-010	GASKET, oil pump	1	2.6*	
5	15140-300-010	VALVE, relief	1	2.6*	
6	15145-300-010	SPRING, relief valve	1	2.6*	
7	15147-300-000	CAP, relief spring	1	2.6*	
8	15150-300-000	SCREEN, oil strainer	1	2.6*	
9	15155-300-000	COLLAR, spring	3	2.6*	
10	15161-300-010	VALVE, oil leak stopper	1	2.6*	
11	15166-300-000	SEAL, oil leak stopper	1	2.6*	
12	15171-300-010	SPRING, oil leak stopper	1	2.6*	
13	15176-300-000	CAP, oil leak stopper	1	2.6*	
14	91304-028-000	O-RING, 15x2.5	4	2.6*	
15	92000-06020	BOLT, hex., 6x20	2		
16	82900-09033	BOLT, hex., 6x30	3		~1064903
	95700-06020	BOLT, flange, 6x20	3		CR750E-1064903~
17	09500-09033	SCREW, pan., 5x30	4		
18	94101-05000	WASHER, phin. 6mm (quantity change)	8 8		~1064903 CR750E-1064903~
19	94902-11000	PIN, dowel, 4x8	2		



## E-16 Primary Tensioner

Ref No.	Part No.	Description	Reqd. No. CH750	P.R.T.	Remarks
1	13498-300-000	RING B, ball bearing set.....	1	4.2*	CB750E-1005307 -
2	13620-300-010	TENSIONER COMP, primary chain.....	1	4.2*	
3	23170-300-030	SPROCKET COMP, primary driver.....	1	4.2*	
4	23151-300-015	CHAIN, primary..... (TAKASAGO 68L-Endless)	2	6.2*	
5	92000-06016	BOLT, hex. 6x16.....	1		
6	95100-60050	BEARING, ball, 6008.....	1	4.2*	~1006300
	91004-300-000	BEARING, special ball, 6008.....	1		CB750E 1005307

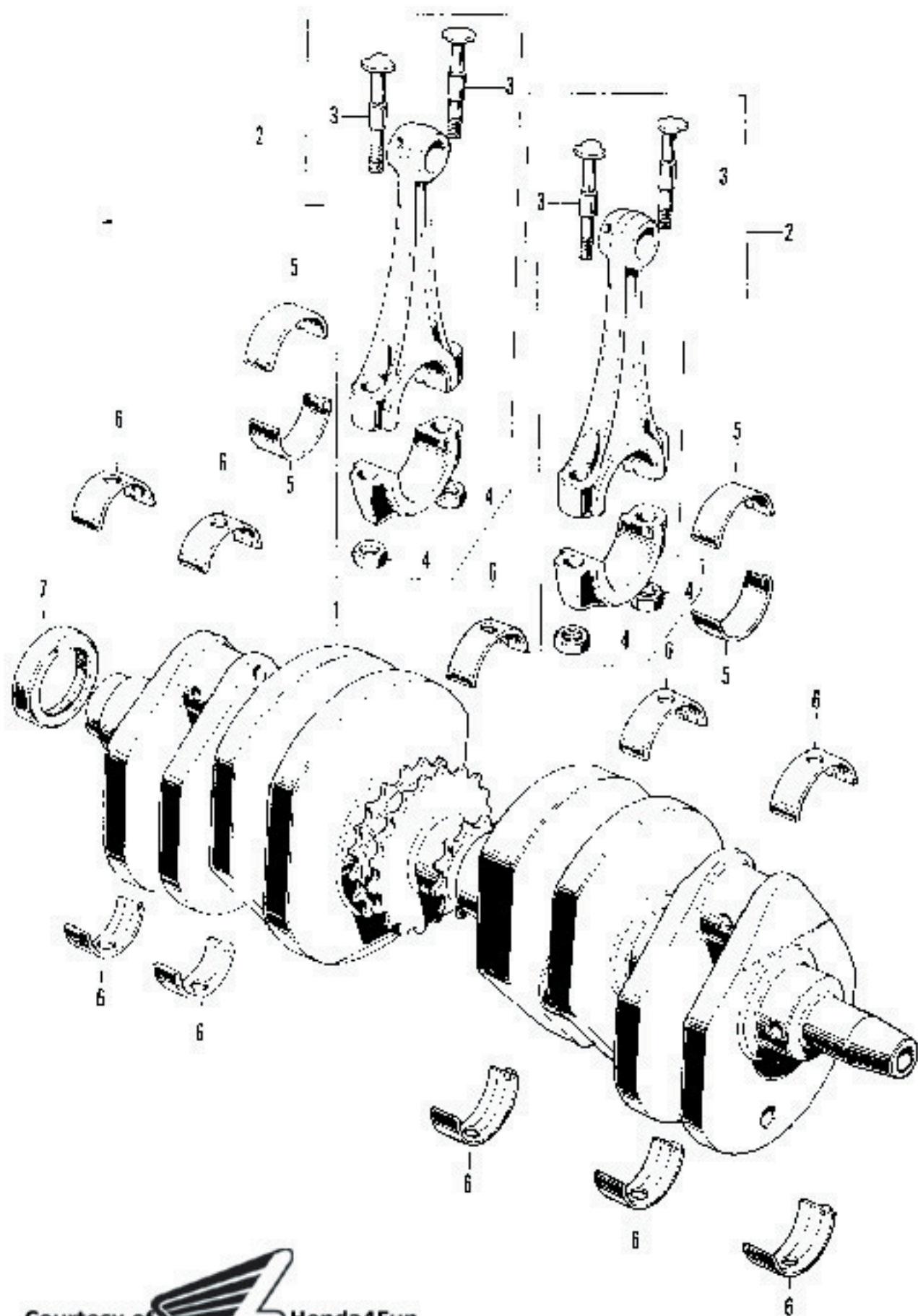


## E-17 Crankshaft

Ref. No.	Part No.	Description	Reqd. No. CR750	F.R.T.	Remarks
1	13000-300-040	(Superseded by 13000-300-060 with 9001-1-300-010 & 90428-300-010)	1		-1001089
	01201-300-060	CRANKSHAFT COMP. ....	1	6.4*	CR750LB 1001081~
2	13201-300-000	(Superseded by 13202-300-000)			
	13202-300-000	ROD COMP. A, connecting .....	(4)	6.4*	
	13203-300-000	(Superseded by 13204-300-000)			
	13204-300-000	ROD COMP. D, connecting .....	(4)		
	13205-300-000	(Superseded by 13206-300-000)			
	13206-300-000	ROD COMP. F, connecting .....	(4)		
	13207-300-000	(Superseded by 13208-300-000)			
	13208-300-000	ROD COMP. H, connecting .....	(4)		
	13209-300-000	(Superseded by 13210-300-000)			
	13210-300-000	ROD COMP. K, connecting .....	(4)		
3	13213-300-000	PISTON, connecting rod .....	8	6.4*	
4	13214-300-000	NUT, connecting rod .....	8	6.4*	
5	13215-300-018	BEARING A, connecting rod (DAPLCO) .....	(8)	6.4**	
	13216-300-018	BEARING B, connecting rod .....	(8)		
	13217-300-018	BEARING C, connecting rod .....	(8)		
	13218-300-018	BEARING D, connecting rod .....	(8)		

Selection table of connecting rod big end bearing

Connecting rod allowance	3		4		5	
	Bearing mark (color)	Clearance (μ)	Bearing mark (color)	Clearance (μ)	Bearing mark (color)	Clearance (μ)
2 0M6 +0.024 +0.016	B (BROWN)	20~41	B (BROWN)	22~43	A (BLACK)	25~46
3 0M6 -0.016 -0.028	C (GREEN)	20~41	C (GREEN)	22~43	B (BROWN)	25~46
1 0M6 -0.034 -0	D (YELLOW)	21~41	D (YELLOW)	25~46	C (GREEN)	22~43





## E-17 Crankshaft

Ref. No.	Parts No.	Description	Repl. No. C5750	F.R.T.	Remarks
6	13313-300-013	BEARING A, crankshaft (DAIIC)	(10)	0.48	
	13316-300-013	BEARING B, crankshaft	(10)		
	13317-300-013	BEARING C, crankshaft	(10)		
	13319-300-013	BEARING D, crankshaft	(10)		

Section table of crankshaft journal main bearing

Crankcase allowance		Crankshaft journal allowance		A		B		C		D	
		$35\phi$	$35\phi$	$35\phi$	$35\phi$	$35\phi$	$35\phi$	$35\phi$	$35\phi$	$35\phi$	$35\phi$
				Bearing mark (color)	Clearance (μ)	Bearing mark (color)	Clearance (μ)	Bearing mark (color)	Clearance (μ)	Bearing mark (color)	Clearance (μ)
C	0.024 0.016	0.024 0.016	0.024 0.016	B (BROWN)	20-41	B (BROWN)	20-41	A (BLACK)	25-46	A (BLACK)	25-46
B	0.016 0.008	0.016 0.008	0.016 0.008	C (GREEN)	20-41	C (GREEN)	20-41	B (BROWN)	25-46	B (BROWN)	25-46
A	0.008 0	0.008 0	0.008 0	D (YELLOW)	20-41	D (YELLOW)	20-41	C (GREEN)	21-43	C (GREEN)	21-43

7	91267-300-003	OIL SEAL, 30×42×5 (ARA)	1	0.48	
---	---------------	-------------------------	---	------	--

