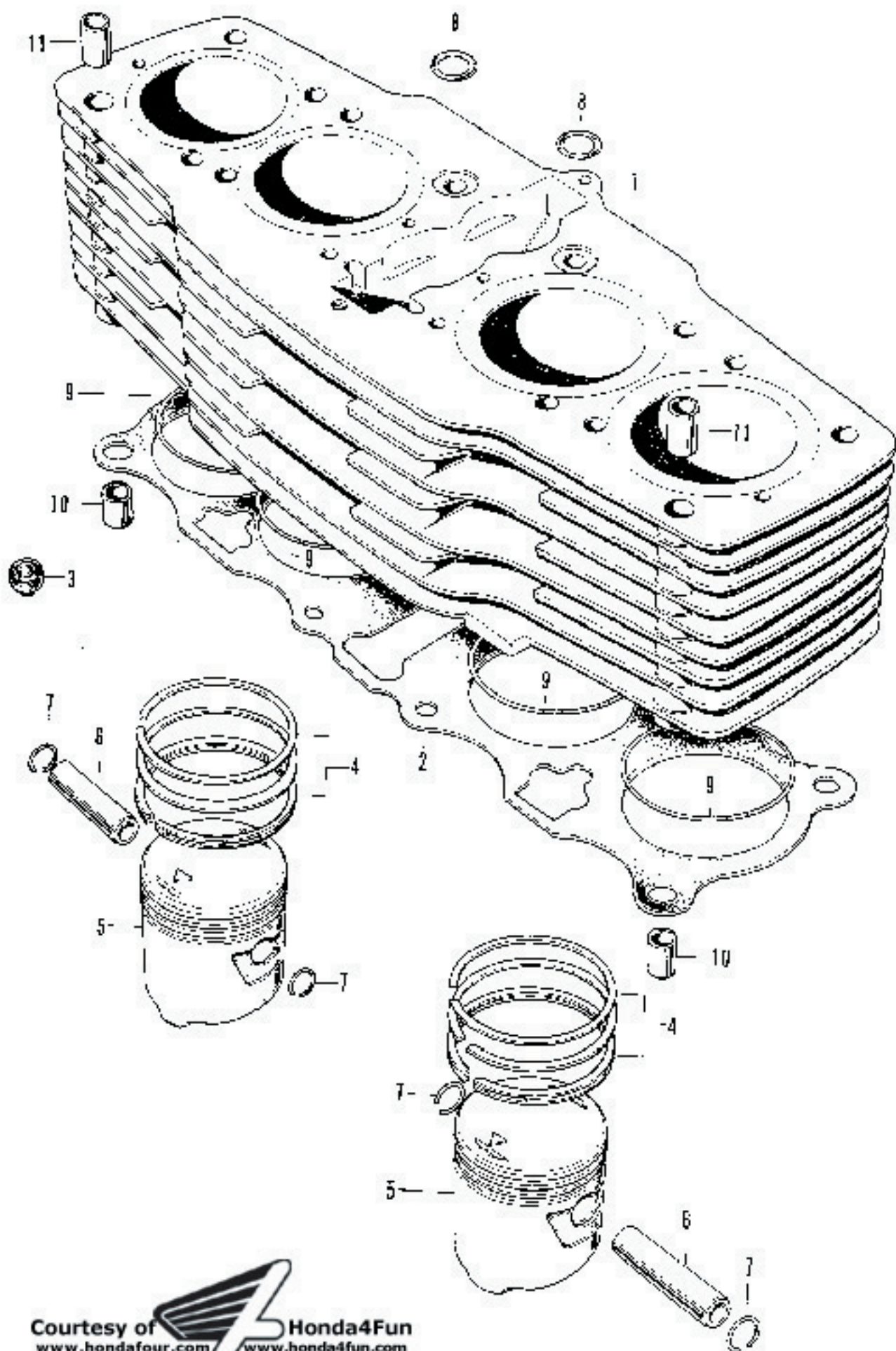


E-4 Cylinder Head - Insulator

Ref. No.	Part No.	Description	Reqd. No. CB75E	P.R.T.	Remarks
16	90495-005-000	WASHER, 14 mm	18	2.9*	
17	51317-300-503	O-RING, 37x17 (A/CAC)	4	3.3*	
18	91016-000-010	RUBBER, sealng (A/CAC)	6	3.3*	
19	52006-06006	BOLT, hex, 6x36	1		-1064902
	57730-06006	BOLT, flange, 6x36	2		CB750E-1064903-
20	52006-06006	BOLT, hex, 6x36	1		CB750E-1036144-1064902
	57730-06006	BOLT, flange, 6x36	1		CB750E-1064902-
21	52700-06006	BOLT, stud, 6x36	4		
22	50500-01022-04	SCREW, pan, 4x22	8		
23	54101-06003	WASHER, plain, 6 mm	1		-1064902
24	54011-06140	PLN. dowel, 6x14	6		
25	99069-76711	PLUG, spark (NGK B-6BS)	4		
	99069-08721	PLUG, spark (DENSO X-24RS)	4		

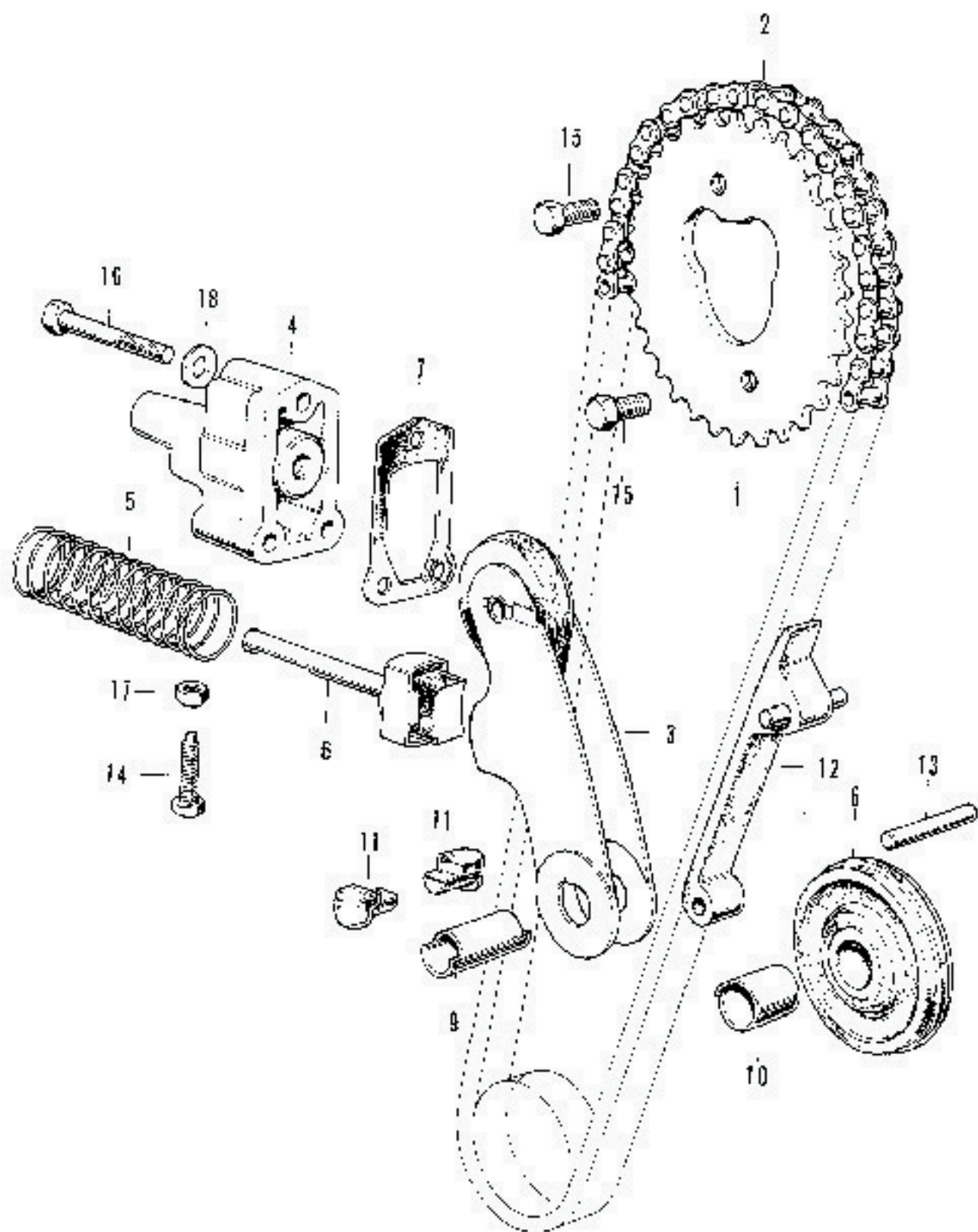
E-5 Cylinder - Piston



E-5 Cylinder - Piston

Ref. No.	Part No.	Description	Req. No. CB750	P.R.T.	Remarks
1	12101-300-000	CYLINDER COMP.	1	4.0*	= 1020143
	12101-300-000	CYLINDER COMP.	1	4.0*	CB750E-1020143
2	12151-300-000	GASKET, cylinder	1	4.0*	
3	12155-300-000	(Superseded by 125A1-285-000)			
	12501-285-000	BUSHING, insert	22	3.1	= 1020142
			21		CB750E-1020142
4	13011-300-000	RING-SET, piston (S115)	4	4.1*	
	13021-300-000	RING-SET, piston (0.25)	(4)		
	13031-300-000	RING-SET, piston (0.50)	(4)		
	13041-300-000	RING-SET, piston (0.75)	(4)		
	13051-300-000	RING-SET, piston (1.00)	(4)		
5	13101-300-000	PISTON (STD)	4	4.1*	
	13102-300-000	PISTON (0.25)	(4)		
	13103-300-000	PISTON (0.50)	(4)		
	13104-300-000	PISTON (0.75)	(4)		
	13105-300-000	PISTON (1.00)	(4)		
6	13111-300-000	PIN, piston	4	4.1*	
7	13115-300-000	CLIP, piston pin	8	4.1*	
8	91303-025-000	PACKING, rubber, 16mm	2	3.7*	
9	91304-025-000	O-RING, 51.8x2.0	4	4.0*	
10	94301-12150	PIN, dowel, 12x5	2		
11	94302-12220	PIN, dowel, 12x22	2		

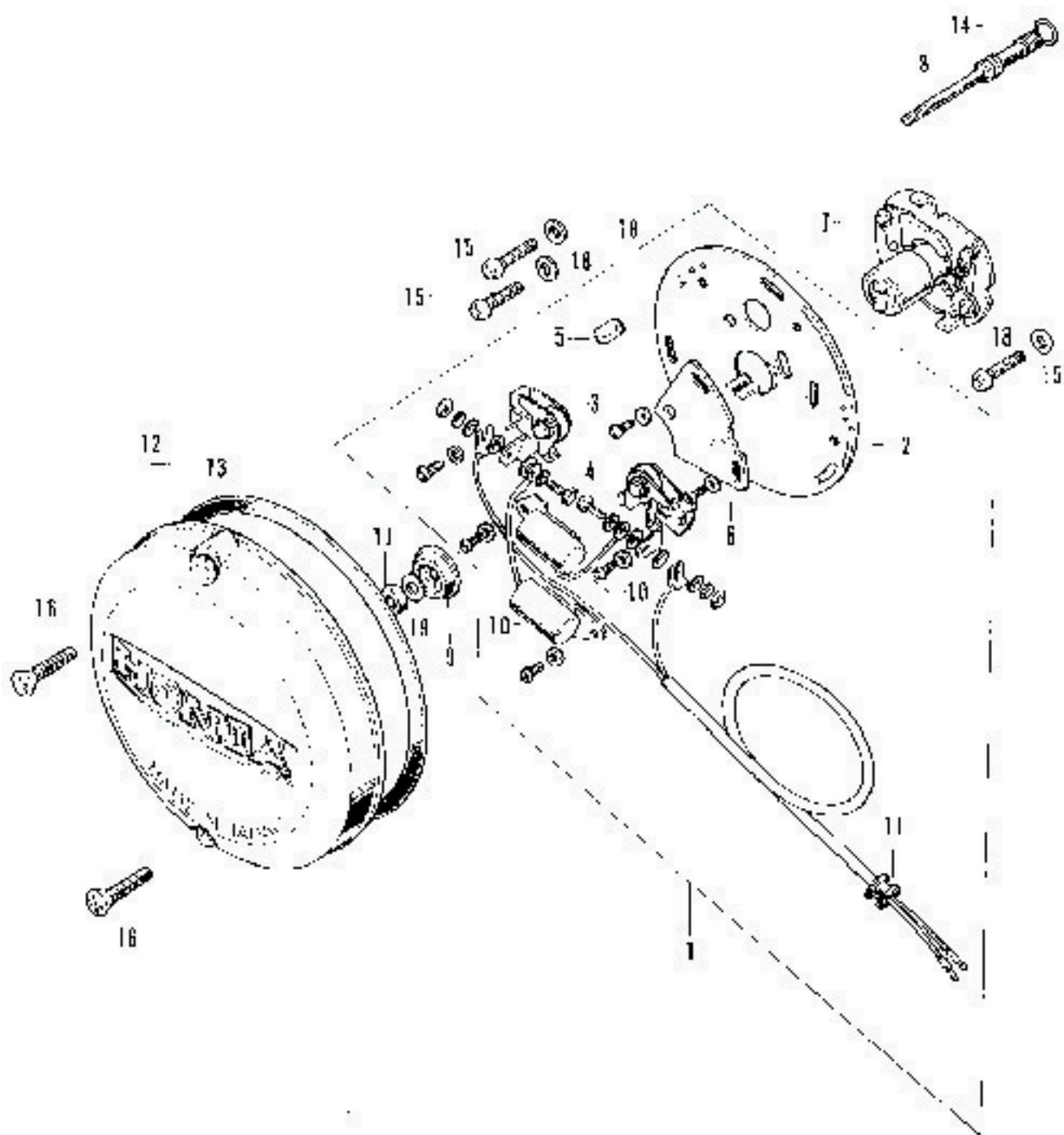
E-6 Cam Chain · Tensioner



E-6 Cam Chain - Tensioner

Ref. No.	Part No.	Description	Recd. No. CB750	F.R.T.	Remarks
1	14501-900-000	SPROCKET, cam (34T)	1	3.0*	
2	14501-286-000	CHAIN, cam (100x10T 94T, endless)	1	3.0*	
3	14500-500-000	TENSIONER COMP., cam chain	1	4.0*	
4	14530-500-000	HOLDER COMP., cam chain tensioner	1	2.0	
5	14540-000-000	SPRING, cam chain tensioner	1	0.0	
6	14500-900-000	BAR COMP., push	1	0.0	~1044306
	14500-900-000	BAR COMP., push	1		CB750E-1044306→
7	14590-900-000	GASKET, tensioner holder	1	2.0	
8	14301-512-000	ROLLER, cam chain guide	1	4.0*	
9	14506-296-000	PIN, cam chain roller	1	4.0*	
10	14506-286-000	COLLAR, cam chain roller	1	4.0*	
11	14810-300-000	RIJGERS, cam chain roller pin	2	4.0*	
12	14810-312-000	GUIDE, cam chain	1	4.0*	
13	14812-296-000	PIN, cam chain guide	1	4.0*	
14	90009-300-000	BOLT, tensioner adjusting	1	0.0	~1044306
	90009-300-010	BOLT, tensioner adjusting	1		CB750E-1044306→
15	90040-200-000	BOLT, hex, knock, 7x15	2	3.1*	
16	92000-06000	BOLT, hex, 6x26	3		~1044302
	92000-06000	BOLT, hex, 6x40	3		CB750E-1044306→
17	94000-06000	NUT, hex, 6mm	1		~1044302
18	94001-06000	WASHER, plain, 6mm	3		~1044302

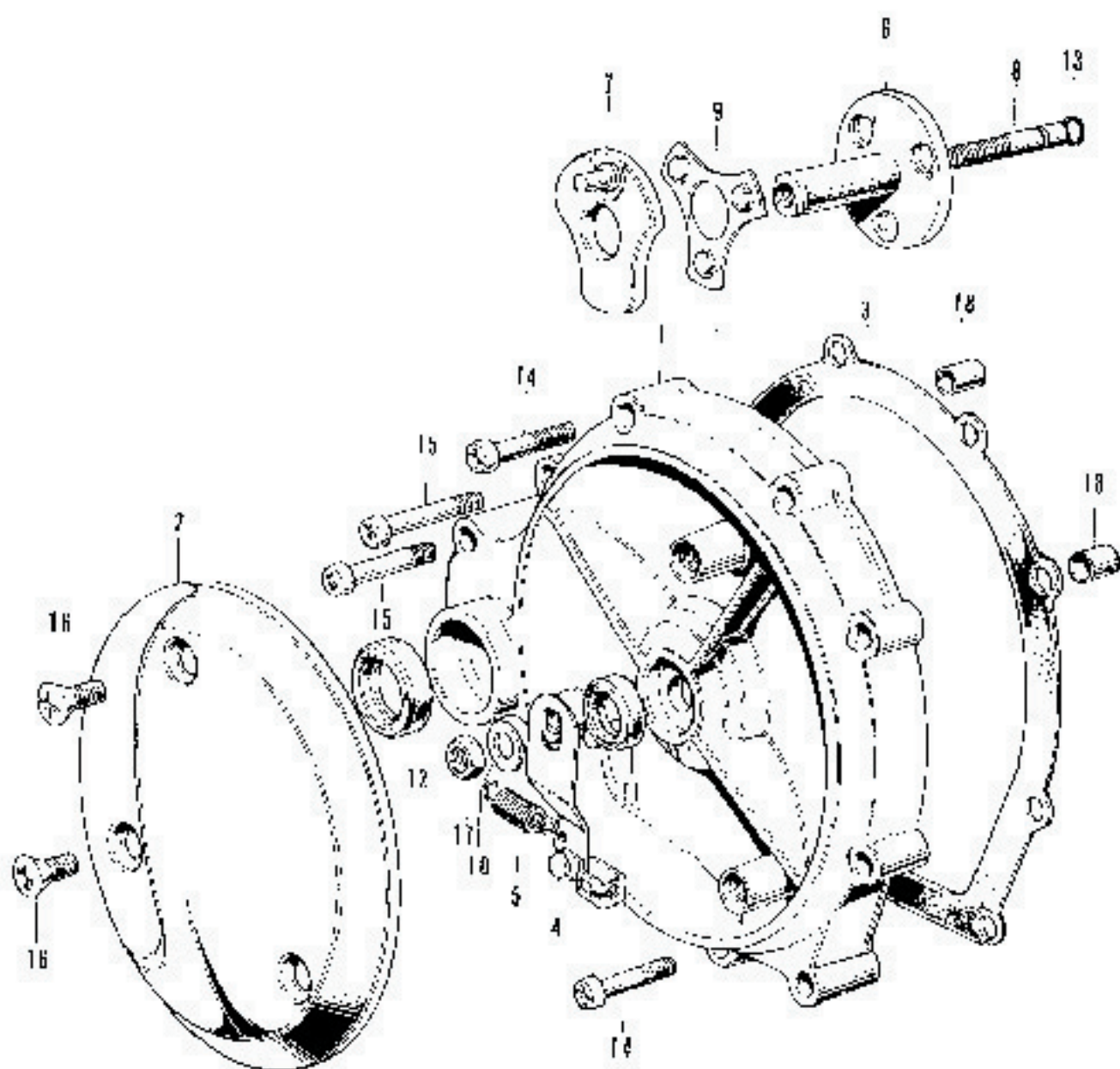
E-7 Contact Breaker · Spark Advancer



E-7 Contact Breaker - Spark Advancer

Ref No.	Part No.	Description	Reqd. No. CR750	P.R.T.	Remarks
1	30205-300-365	BREAKER ASSY., contact (ATTACH)	1	0.3	~1024063
	30206-300-364	BREAKER ASSY., contact (ATTACH)	1		CR750E-1024064-
2	30202-300-365	PLATE, contact breaker (ATTACH)	1	0.3	~1024073
	30203-300-365	PLATE, contact breaker (ATTACH)	1		CR750E-1024074-
3	30203-300-007	BREAKERS, 1 & 4 cylinder motor (ATTACH)	1	0.3	
4	30204-300-365	BREAKERS, 2 & 3 cylinder contact (ATTACH)	1	0.3	
5	30205-300-009	FELT, 2 (ATTACH)	1	0.2	
6	30215-300-365	PLATE, shift contact (ATTACH)	1	0.5	
7	30221-300-005	ADVANCER ASSY., spark (ATTACH)	1	0.2	
8	30227-300-010	SHOFT, advancer	1	0.3	
9	30232-300-006	WASHER, special advancer shaft	1	0.1	
10	30252-300-365	CONDENSER COMP. (ATTACH)	2	0.3	
11	30254-300-360	GROMMET, primary cord	1	0.4	
12	30257-300-360	COVER COMPL. point	1	0.1	
13	30572-300-300	GASKET, point cover	1	0.1	
14	94301-300-000	O RING, 6x23	1	0.3	
15	93500-050 / 1-00	SCREW, pan, 5x12	2		
16	90700-90502-02	SCREW, oval, 6x25	2		
17	94002-90500	NUT, hex, 4mm	1		
18	94101-90500	WASHER, plain, 5mm	3		
19	94101-90500	WASHER, plain, 5mm	1		

E-8 Clutch Cover



E-8 Clutch Cover

Ref. No.	Part No.	Description	Reqd. No. CB750	F.R.T.	Remarks
1	11342-300-040	COVER, clutch	1	0.4	~1007414
	11342-300-050	COVER, clutch	1		CB750E 1007415~
2	11345-300-000	COVER, clutch adjusting	1	0.1	
3	11395-300-010	GASKET, clutch cover	1	0.4	~1007414
	11395-300-050	(Superseded by 11395-300-000)			
	11395-300-303	GASKET, clutch cover	1	0.4	CB750G 1007415~
4	22810-300-000	LEVER COMP. clutch	1	0.2	
5	09815-300-000	SPRING, clutch lever	1	0.2	
6	22820-300-000	SHAFT, clutch return	1	0.4	
7	22830-300-000	CAM COMP. clutch lever	1	0.4	
8	22841-300-000	BUSH, clutch adjusting	1	0.4	
9	32850-300-000	RETAINER COMP. clutch ball	1	0.4	
10	90402-822-000	WASHER, head, 8mm	1	0.2	
11	91202-210-000	OIL-SEAL, 14x24x5	1	0.2	
12	91204-285-000	OIL-SEAL, 18x24x7 (ARA)	1	0.2	
13	91301-283-000	O-RING, 5x3.4	1	0.4	
14	98900-06028	SCREW, pan, 6x28	6		
15	98900-06036	SCREW, pan, 6x36	3		
16	98700-06016-02	SCREW, oval, 6x16	3		
17	93002-08000-05	NUT, hex, 8mm	1		
18	94300-06141	PIN, bowel, 6x14	2		

