



# HONDA

## CB750K2



Courtesy of



Honda4Fun

[www.honda4fun.com](http://www.honda4fun.com)

[www.honda4fun.com](http://www.honda4fun.com)

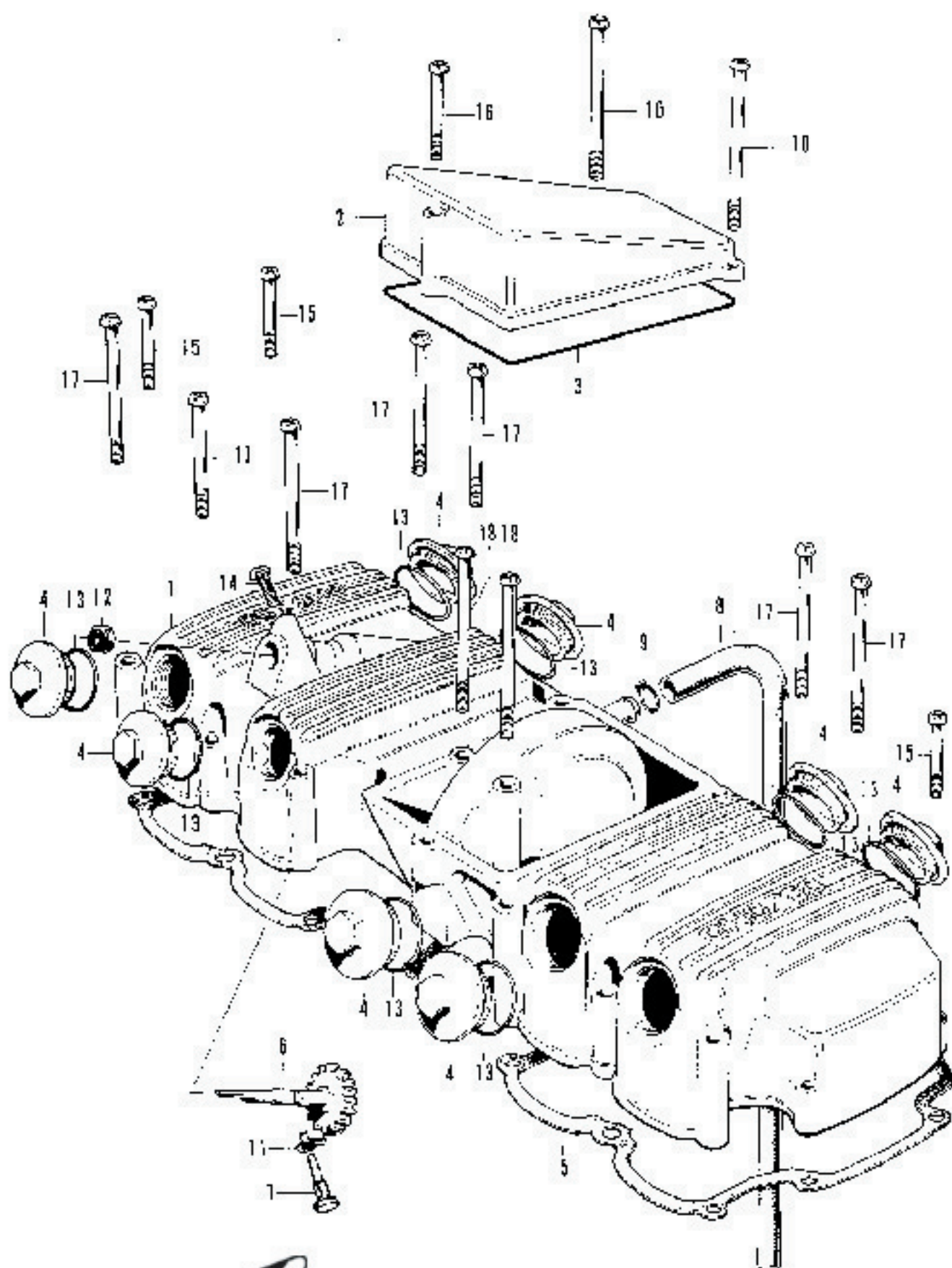
# PARTS LIST

HONDA GENUINE PARTS

4



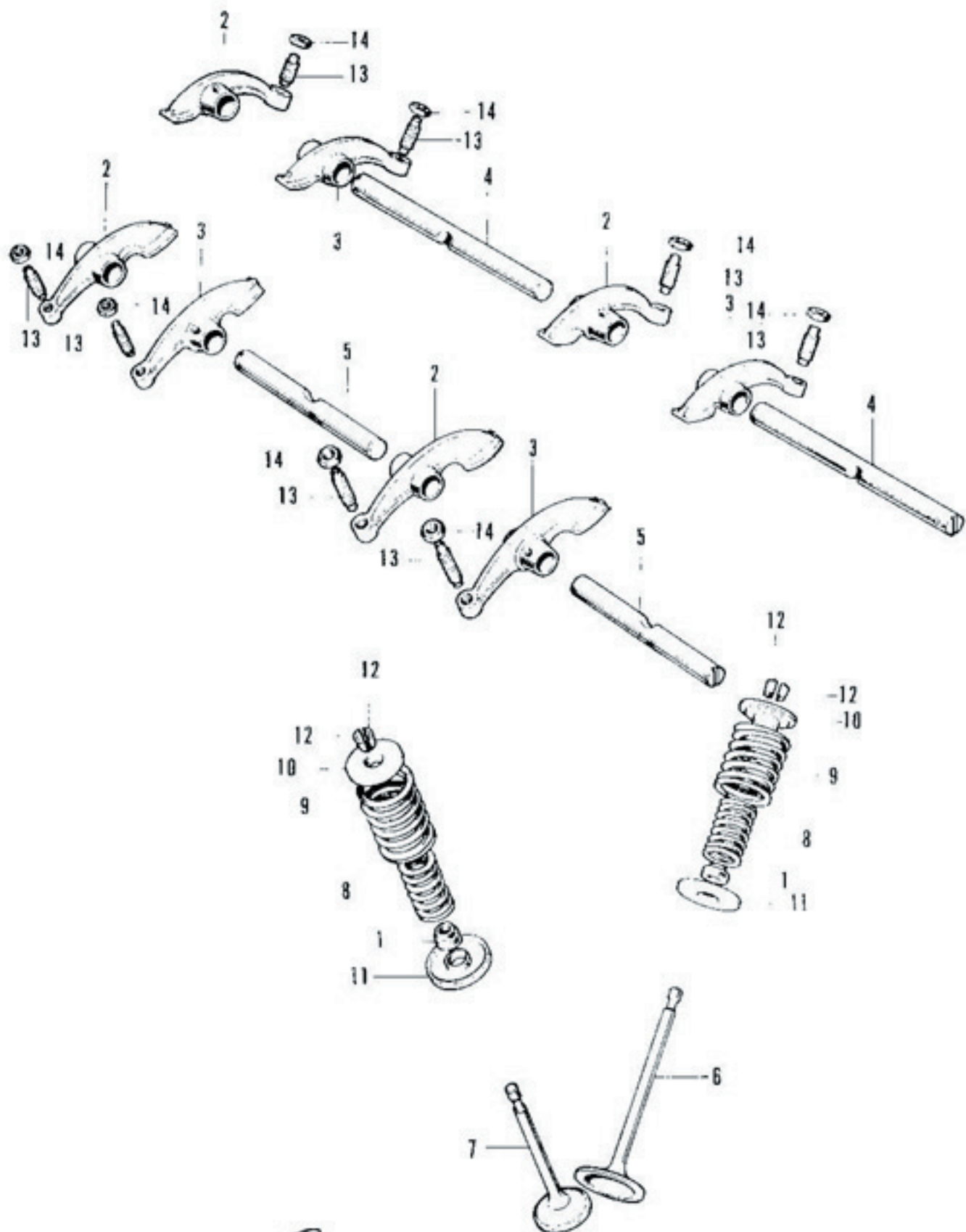
## E-1 Cylinder Head Cover



## E-1 Cylinder Head Cover

Ref. No.	Part No.	Description	Reqd. No. CB750	F.R.T.	Remarks
1	12310-300-030	(Superseded by 12310-300-040)			
	12310-300-040	COVER, cylinder head.....	1	2.4*	
2	12321-300-010	COVER, head breather.....	1	2.1*	~ 1010337
	12321-300-030	COVER, head breather.....	1		CB750E-1010338~
3	12329-300-030	GASKET, breather cover .....	1	2.1*	
4	12361-300-000	CAP, tappet adjusting hole.....	8	0.1	
5	12391-300-030	GASKET, cylinder head cover .....	1	2.2*	
6	12431-300-010	GEAR, tachometer.....	1	2.2*	
7	12435-300-003	BOLT, tachometer gear stopper .....	1	2.2*	
8	15763-300-000	TUBE C, breather.....	1	0.1	~ 1044805
	15763-300-303	TUBE C, breather.....	1		CB750E-1044806~
9	15772-292-010	CLIP, breather tube .....	1	0.1	
10	90018-300-000	SCREW, pan, 6x75 ..	2	0.5	
○11	90439-300-000	WASHER, lock .....	1		
12	91211-286-003	OIL-SEAL, 4.8x14.5x4 (ARAI) .....	1		
13	91302-001-020	O-RING, 30.8 mm .....	8		
14	93500-05025-0A	SCREW, pan, 5x25 .....	1		
15	93500-06040	SCREW, pan, 6x40 .....	4		
16	93500-06050	SCREW, pan, 6x50 .....	1		
17	93500-06063	SCREW, pan, 6x63 .....	10		
18	93500-06080	SCREW, pan, 6x80 .....	2		

# E-2 Valve • Rocker Arm

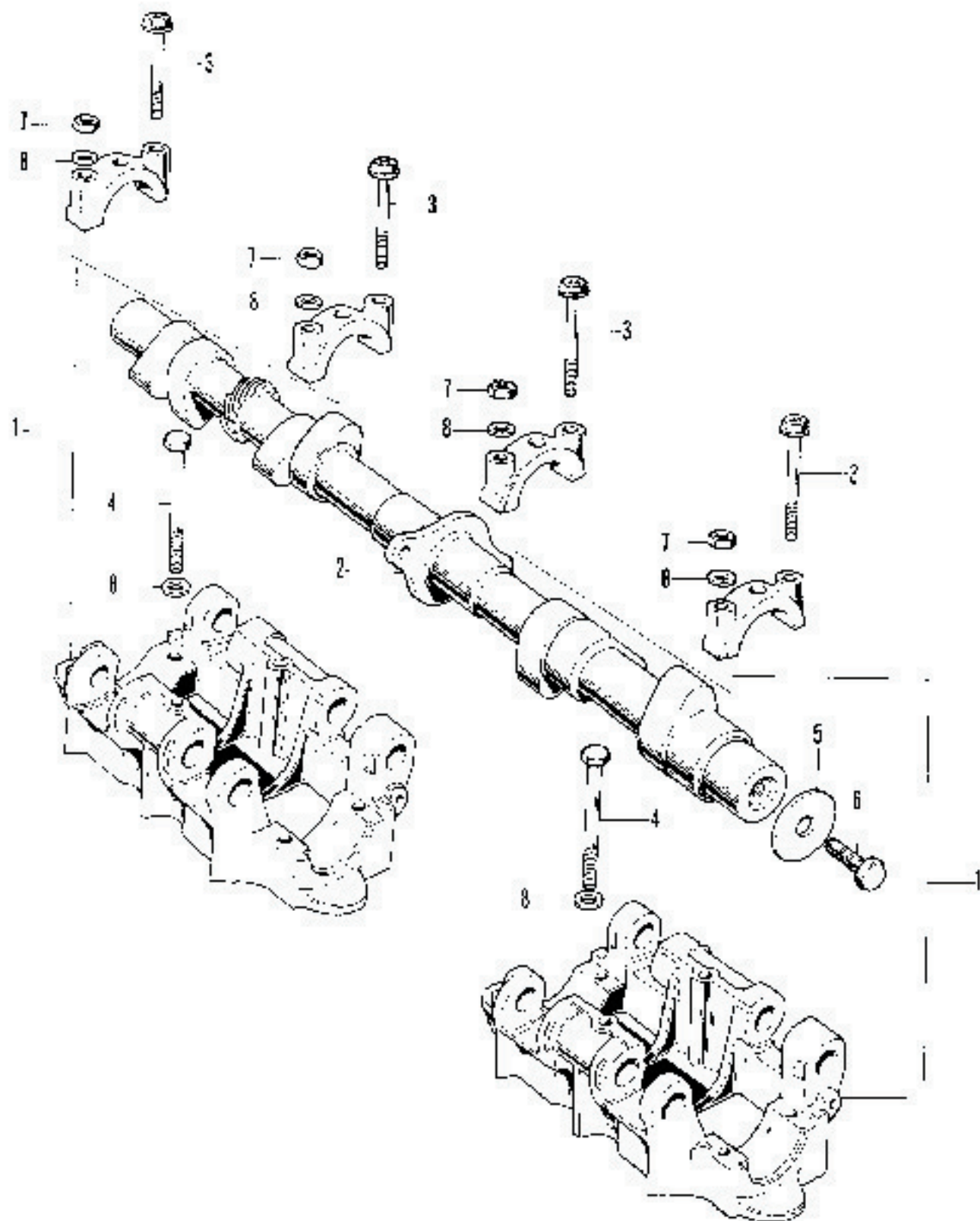




## E-2 Valve • Rocker Arm

Ref. No.	Part No.	Description	Repl. No. CB750	F.R.T.	Remarks
1	12205-930-001	SEAL, valve stem .....	5	4.0φ	→10.4995
		(No. 1 only for inlet side only) .....	4		CD750E-1007099→
2	14031-300-030	ARM, A, valve rocker .....	4	3.0φ	
3	14032-300-030	ARM, B, valve rocker .....	4	3.0φ	
4	14451-300-000	SHAFT, inlet rocker arm .....	2	3.0	→10.4037
	14451-300-010	SHAFT, inlet rocker arm .....	2		CD750E-1000036→
5	14552-300-030	SHAFT, exhaust rocker arm .....	2	3.0φ	
6	14711-300-000	VALVE, inlet (MITSUBISHI) .....	4	4.0φ	
7	14731-300-000	VALVE, exhaust (MITSUBISHI) .....	4	4.0φ	
8	14751-300-000	SPRING, valve main .....	5	4.0φ	
9	14761-300-000	SPRING, valve main .....	5	4.0φ	
10	14771-331-020	RETAINER, valve spring .....	5	4.0φ	
11	14775-300-000	SEAT, valve spring .....	8	4.0φ	
12	14781-331-000	COLLER, valve .....	16	4.0φ	
13	90013-330-000	SCREW, cupped adjusting .....	3	0.2	
14	90036-250-000	NUT, type adjusting .....	3	0.2	

### E-3 Camshaft - Holder

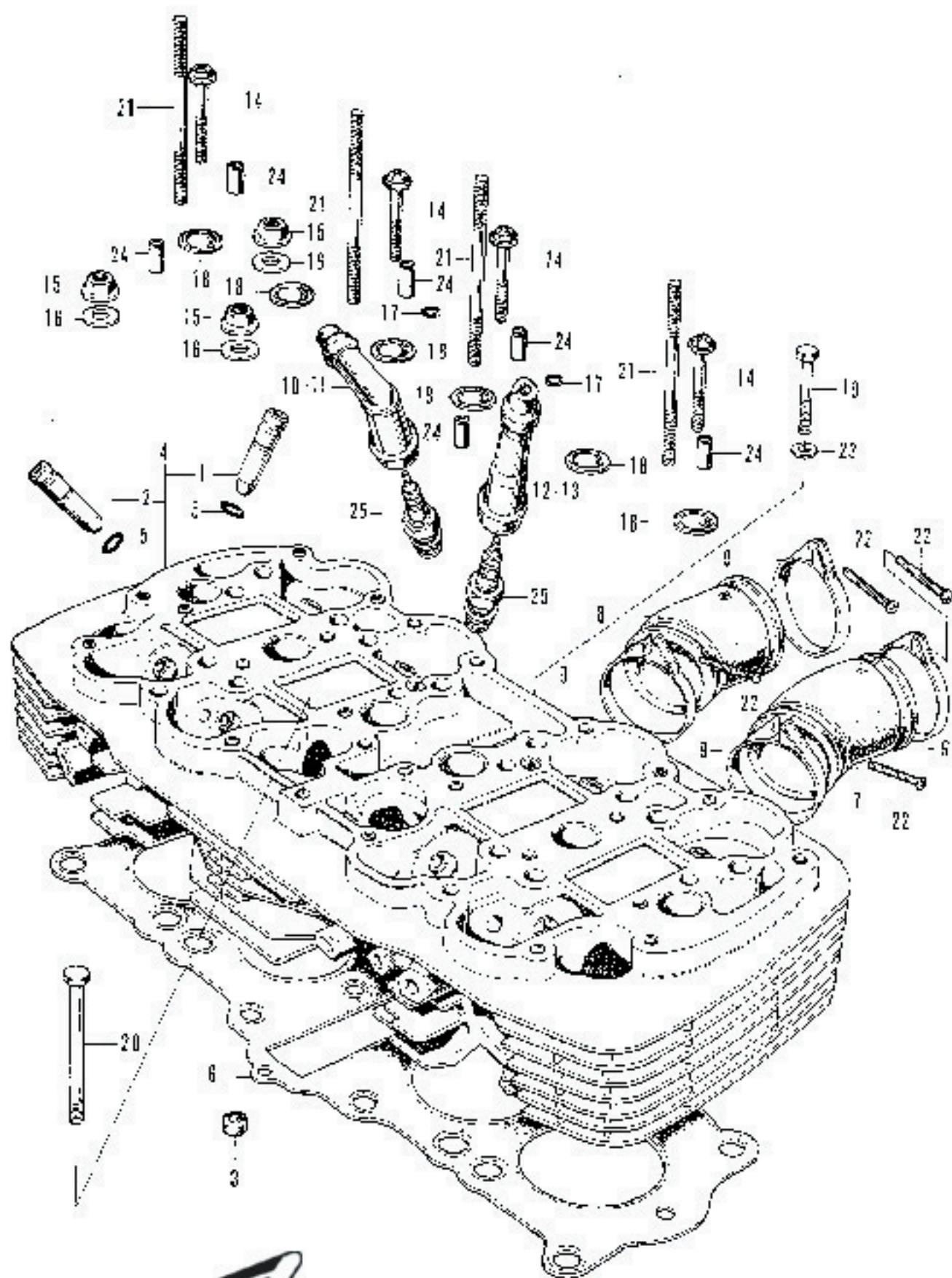


### E-3 Camshaft - Holder

Ref. No.	Part No.	Description	Reqd. No. CB750	F R T.	Remarks
1	12010-300-000	HOLDER-SET, camshaft .....	2	3.0*	→101485-
	12010-300-000	HOLDER-SET, camshaft .....	2		CH750E-101485-
2	14-01-300-000	CAMSHAFT .....	1	3.2*	
3	30040-300-000	(S provided by 92000-00000)			
	92000-00050	BOLT, hex. 1x16 .....	4		→102470-
	92730-00000	BOLT, flange, 6x61 .....	4		←BASE-102450-
4	92661-300-000	BOLT, hex. 6x63 .....	4		→102610-
	92662-300-000	BOLT, stopper, rod for shaft .....	4		←BASE-102614-
5	92413-300-000	WASHER, thrust, 8mm .....	1	2.3*	
6	92100-00000	BOLT, hex. 3x20 .....	1		
7	94002-06000	NUT, hex, 6mm .....	4		→102810-
	94002-06000	NUT, hex, 6mm .....	4		CB750E-102814-
8	94101-00000	WASHER, part, 6mm .....	2		→102814-
	(Quantity change)	.....	4		CB750E-102814-



# E-4 Cylinder Head - Insulator





## E-4 Cylinder Head - Insulator

Ref. No.	Part No.	Description	Rec'd. No. CB750	F.R.T.	Remarks
1	12075-300-000	GUIDE, inlet valve .....	4	4.5*	
2	12027-300-000	GUIDE, exhaust valve .....	4	4.5*	~ 1016890
	12027-300-010	GUIDE, exhaust valve .....	4		CB750E-1016890~
3	12153-300-000	(Superseded by 12020-300-000)			
	12120-300-000	BULLOCK, liner (Quantity change) .....	12 2	0.1	~ 1025142 CB750E-1025142~
4	12040-300-000	(Superseded by 12040-300-000)	1	4.1**	~ 1028142
	12040-300-000	HEAD GASKET, cylinder .....	1		CB750E-1028142~ 1044800
	12200-300-000	HEAD GASKET, cylinder .....	1		CB750E-1044800~
5	12211-300-000	CLIP, valve cover .....	8	4.1**	
6	12251-300-000	(Superseded by 12251-300-000)	1	3.1**	~ 1018143
	12251-300-000	(Superseded by 12251-300-000)	1		CB750E-1028142~ 1044800
7	12251-300-000	GASKET, cylinder head .....	1		CB750E-1111001~
	16211-300-000	(Superseded by 16211-300-000)			
	16211-300-000	INSULATOR A, carburetor .....	2	0.7	~ 1014805
	16211-300-000	INSULATOR A, carburetor .....	2		CB750E-1014800~
8	16212-300-000	(Superseded by 16211-300-000)			
	16212-300-000	INSULATOR B, carburetor .....	2	1.7	~ 1014805
	16212-300-000	INSULATOR B, carburetor .....	2		CB750E-1014800~
9	17255-300-000	BAND, connecting pipe .....	8	0.2	~ 1014905
	17255-300-010	BAND, insulator .....	8	0.3	CB750E-1044800~
10	20700-300-000	(Superseded by 20700-300-010)			
	20700-300-010	CAP ASSY. A, noise suppresser (Used in U.S.A.) .....	2	0.1	
11	20700-300-000	CAP ASSY. A, noise suppresser (Not used in U.S.A.) .....	2		CB750E-1003430~
12	20710-300-000	(Superseded by 20710-300-010)			
	20710-300-010	CAP ASSY. B, noise suppresser (Used in U.S.A.) .....	2	0.1	
13	20710-300-000	CAP ASSY. B, noise suppresser (Not used in U.S.A.) .....	2		CB750E-1003430~
14	90040-300-000	NUT, special 6x25 .....	5	2.3**	
15	90255-300-000	NUT, 8 mm .....	15	1.0**	

# E-4 Cylinder Head - Insulator

